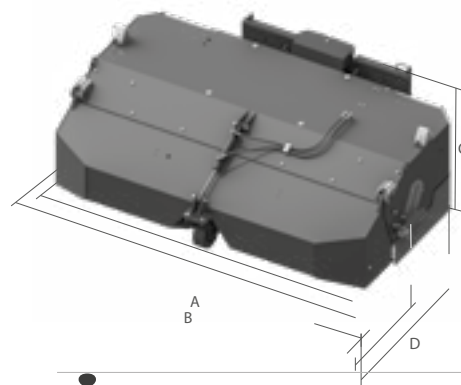


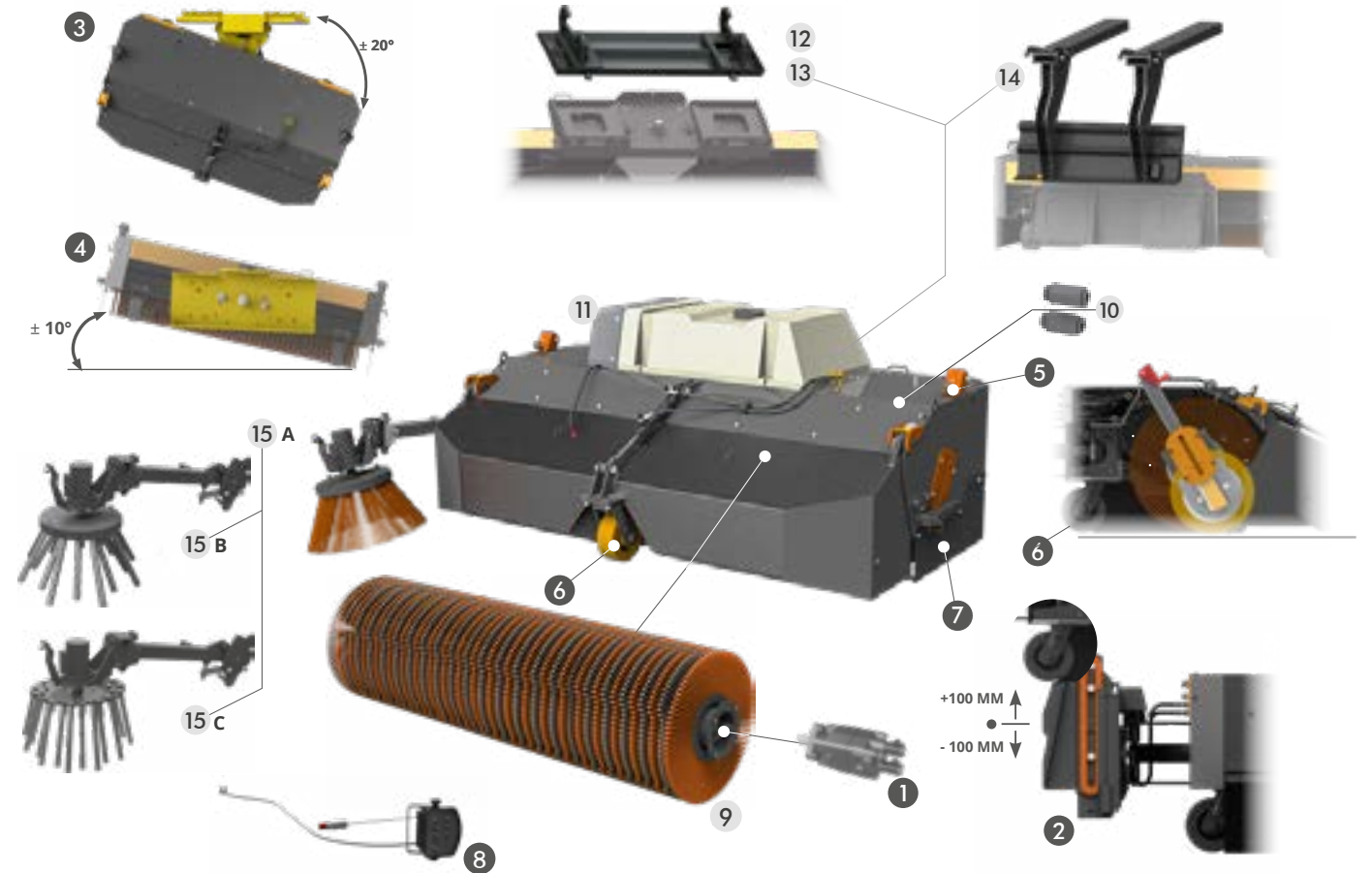


**NB: AT THE TIME OF ORDER, PLEASE NOTIFY THE VOLTAGE OF THE ELECTRICAL SYSTEM (12-24 V)**

IT IS PERFECT FOR THE MAINTENANCE AND CLEANING OF OPEN SURFACES, FLOORS, INDUSTRIAL HALLS AND STREETS THAT REQUIRE A HIGH-LEVEL CLEANING.



	MOD.	EASY SWEEPY S160	EASY SWEEPY S180	EASY SWEEPY S210	EASY SWEEPY S230	
<b>A</b>	MM (IN)	1600 (62,99)	1800 (70,86)	2100 (82,67)	2300 (90,55)	
<b>B</b>	MM (IN)	1850 (72,83)	2050 (80,70)	2350 (92,51)	2550 (100,39)	
<b>C</b>	MM (IN)	800 (31,4)	800 (31,4)	800 (31,4)	800 (31,4)	
<b>D</b>	MM (IN)	1710 (67,32)	1710 (67,32)	1710 (67,32)	1710 (67,32)	
	W/O COUPLER	KG (LB)	610 (1344,82)	640 (1410,96)	675 (1488,12)	700 (1543,24)
	MAX.	L (GAL)	135 (35,66)	150 (39,62)	180 (47,55)	200 (52,83)
		MM (IN)	600 (23,62)	600 (23,62)	600 (23,62)	600 (23,62)
		N.	32 + 2	37 + 2	43 + 2	48 + 2
	MAX.	L/MIN (GAL/MIN)	70 (18,49)	70 (18,49)	70 (18,49)	70 (18,49)
	MAX.	BAR (PSI)	250 (3625,94)	250 (3625,94)	250 (3625,94)	250 (3625,94)
	12 PIN CONNECT		12 PIN	12 PIN	12 PIN	12 PIN



**STANDARD TECHNICAL FEATURES**

- 1 ENGINE WITH SQUARE FLANGES AND DISK GEARBOX**  
SHAFT WITH INTEGRAL MOTOR, NOT SUITABLE FOR HIGH FLOW SYSTEM
- 2 COMPACT FLOATING SYSTEM 200 MM**  
IT ALLOWS THE SWEEPER TO FOLLOW THE GROUND AND BETTER THE FINAL RESULT. DESIGNED FOR MACHINES SUCH AS LOADERS AND TELESCOPIC LOADERS.
- 3 ANGLE SIDE HYDRAULIC TILTING ADJUSTMENT OF ± 20°**  
IT ALLOWS THE HYDRAULIC ADJUSTMENT OF THE TILTING ANGLE UP TO A MAX. OF +/-20° ON EACH SIDE.
- 4 TILT - HORIZONTAL MECHANICAL TILTING ADJUSTMENT OF ±10°**  
IT ALLOWS THE MECHANICAL ADJUSTMENT OF THE WORKING PLANE TILTING ANGLE UP TO A MAX. OF +/- 10° ON EACH SIDE.
- 5 ROLLER PRESSURE ADJUSTMENT SYSTEM**
- 6 PIVOTING WHEELS**
- 7 PARKING FEET**
- 8 ELECTRIC KIT**

**NB : THE EQUIPMENT IS SUPPLIED COMPLETE WITH PIPES AND CONNECTIONS**

**OPTIONAL**

- 9 PPL+STEEL BRUSH KIT**  
RECOMMENDED ON PARTICULARLY ABRASIVE SURFACES, ELECTRIC ON/OFF FROM OPERATOR TERMINAL.
- 10 FLOWRATE REDUCERS**  
MANDATORY ON HIGHFLOW MACHINES OR WITH OILRATE HIGHER THAN 70 L/MIN.
- 11 DUST-CONTROL SYSTEM WITH TANK AND PUMP**  
PRESSURIZED WATER SYSTEM WITH TANK FOR THE CONTROL OF DUSTS PRODUCED DURING THE WORKING CYCLE. SPRINKLERS ARE POSITIONED INSIDE THE SWEEPER
- 12 ARTICULATED LOADERS, BACKHOE LOADERS AND TELEHANDLER HANDLERS COUPLING**
- 13 ARTICULATED LOADERS HITCH 14 COUPLING FRAME FOR FORKS**
- 15 SIDE BRUSH (CAN BE MOUNTED ON RIGHT OR LEFT) PPL BRUSH (A) STEEL BRUSH + RUBBER PLATE (B) STEEL BRUSH + STEEL PLATE (C)**  
INDICATED FOR CURBS, WALLS AND SIDEWALKS CLEANING. NORMALLY MOUNTED ON THE RIGHT, CAN BE INSTALLED ON THE LEFT ON SPECIFIC REQUEST