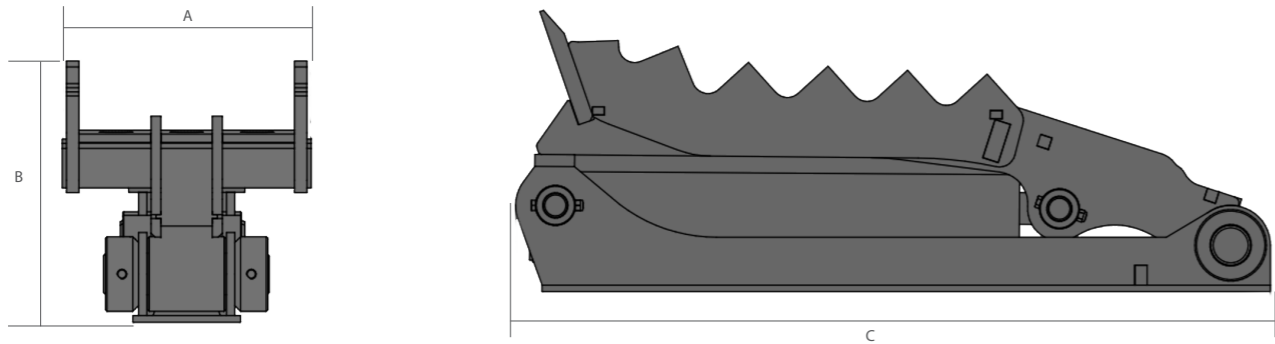
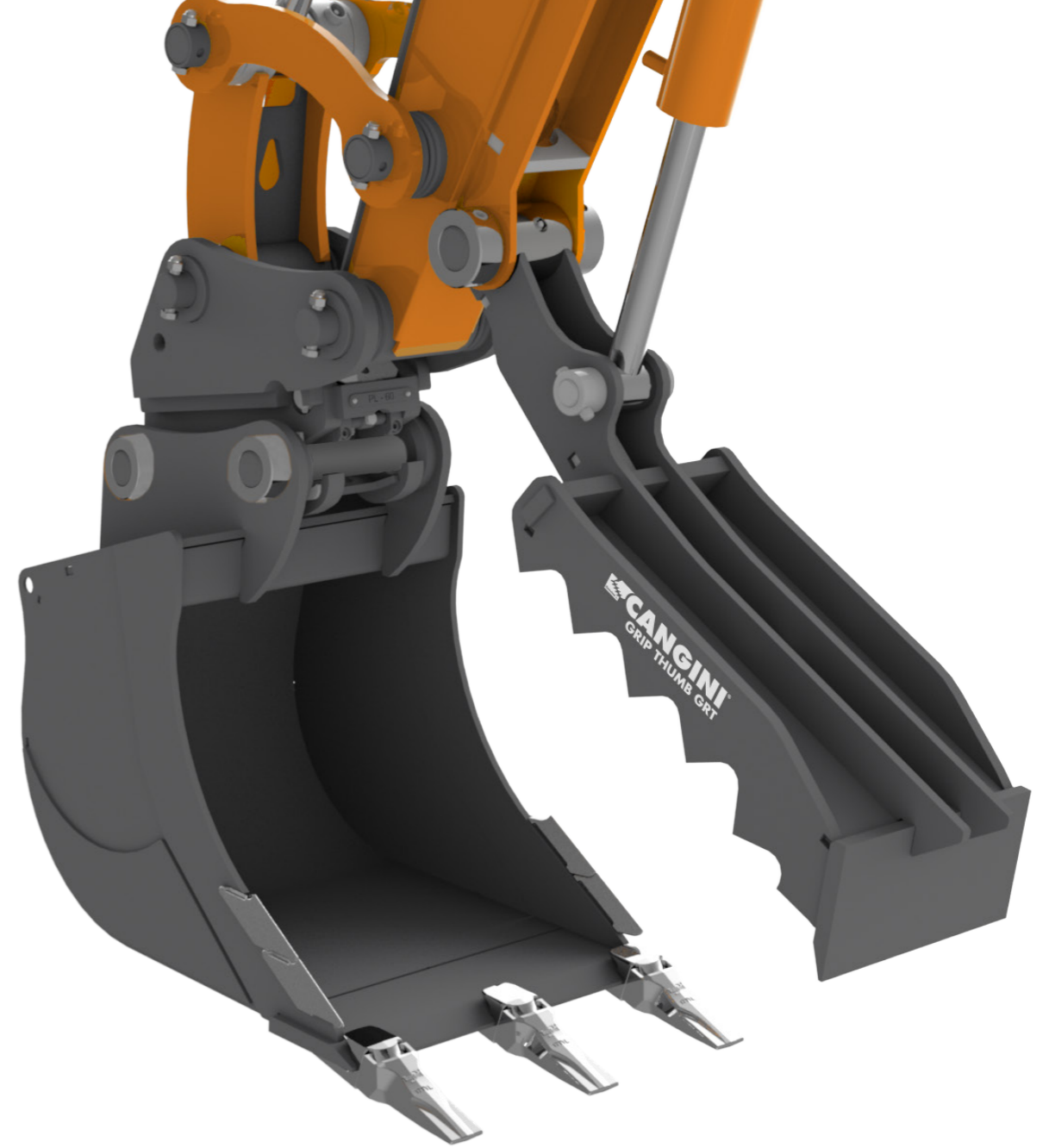






WELDED TO THE ARM OF THE EXCAVATOR, THE CANGINI GRT THUMB FACILITATES GRIPPING OF ROCKY MATERIALS, LOGS AND MANY OTHER ITEMS, SERVING AS A GRAPPLE. ONCE FOLDED AWAY, IT ALLOWS THE BUCKET TO FUNCTION NORMALLY, SIMPLIFYING PROCEDURES FOR THE OPERATOR.

** TONNAGE IS INDICATIVE, CHECK THE APPLICATION'S FEASIBILITY WHEN ORDERING TO AVOID TOOL MALFUNCTIONS.



	TONS** (LB)	1,8 - 2,5 (3968,32-5511,56)	2,5 - 4,0 (5511,56-8818,49)	4,0 - 7,5 (8818,49 16534,7)	7,5 - 10,0 (16534,7-22046,2)	10,0 - 14,0 (22046,2-30864,7)	14,0 - 18,0 (30864,7-39683,2)
	MOD.	GRT 20	GRT 25	GRT 30	GRT 40	GRT 45	GRT 50
A	MM (IN)	200 (7,8)	250 (9,8)	300 (11,8)	400 (15,7)	450 (7,87)	500 (17,7)
B	MM (IN)	245 (9,6)	245 (9,6)	355 (13,9)	355 (13,9)	485 (19,0)	485 (19,0)
C	MM (IN)	583 (22,9)	583 (22,9)	915 (36,0)	915 (36,0)	1620 (63,7)	1620 (63,7)
	KG (LB)	25 (55)	30 (66)	95 (209,4)	135 (297,6)	355 (782,6)	374 (824,5)
 MAX	BAR (PSI)	200 (2900,7)	200 (2900,7)	250 (3625,9)	250 (3625,9)	300 (4351,1)	300 (4351,1)

