

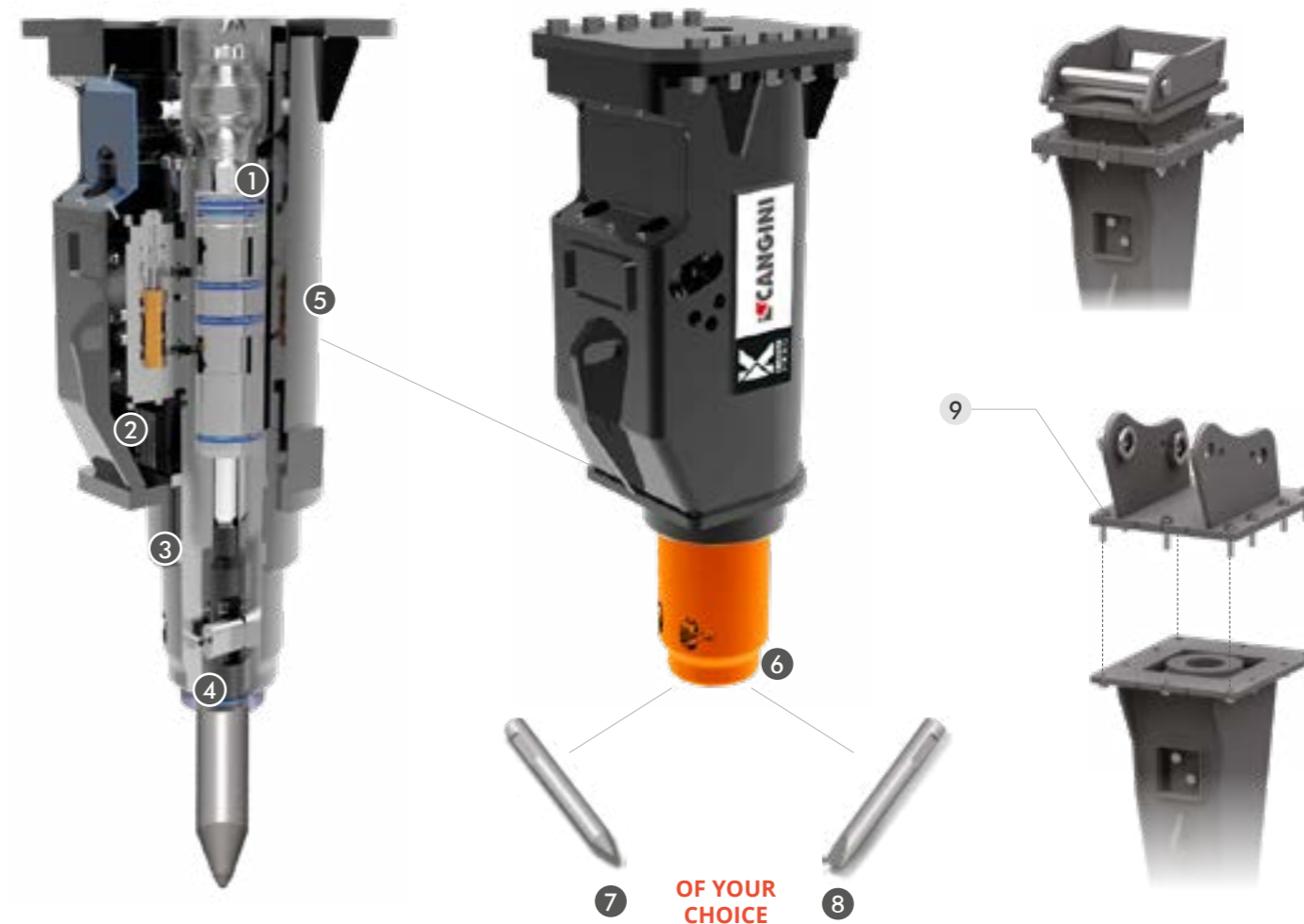
HB450



THE C.B. SERIES HYDRAULIC DEMOLITION HAMMER IS AVAILABLE IN 9 MODELS FOR EXCAVATORS WITH WORKING WEIGHT FROM 0,5 TO 12,5 TONNES. ITS ENCASED STRUCTURE IS DESIGNED TO MINIMISE THE NOISE LEVELS EMITTED BY THE HAMMER. THE SYSTEM IS DEVELOPED TO RECOVER THE NITROGEN'S INERTIAL ENERGY IN ORDER TO BOOST POWER. THE PRODUCT'S DESIGN ENABLES GREATER VISIBILITY WHEN AT WORK.



	TONS (LB)	0,5 - 1,4 (1102-3086)	0,6 - 1,8 (1323-3968)	1,5 - 2,5 (1323-3968)	1,5 - 3,8 (3307-8378)	2,5 - 5,0 (3307-8378)	3,0 - 6,5 (3307-8378)	4,5 - 8,5 (6614-18740)	6,0 - 10,0 (6614-22046)	8,0 - 12,5 (17637-26455)
	<b>MOD.</b>	<b>CB55</b>	<b>CB70</b>	<b>CB100</b>	<b>CB150</b>	<b>CB200</b>	<b>CB250</b>	<b>CB300</b>	<b>CB450</b>	<b>CB550</b>
	<b>A</b>	MM (IN)	583 (23)	583 (23)	666 (26)	666 (26)	869 (34)	869 (34)	904 (36)	1135 (46)
	<b>B</b>	MM (IN)	200 (8)	228 (9)	255 (10)	255 (10)	275 (11)	300 (12)	295 (12)	378 (15)
<b>kg</b>	WITHOUT COUPLING	KG (LB)	60 (132)	70 (154)	100 (220)	135 (298)	190 (419)	240 (529)	300 (529)	470 (1036)
	TOOL DIAMETER	MM (IN)	40 (2)	40 (2)	45 (2)	48 (2)	55 (2)	65 (3)	75 (3)	80 (3)
	MAX	BAR (PSI)	110 (1595)	110 (1595)	110 (1595)	110 (1595)	130 (1885)	140 (2030)	160 (2321)	160 (2321)
	MAX	L/MIN (GAL/MIN)	15-20 (4 - 5)	18-23 (5 - 6)	20-30 (5 - 8)	22-40 (6 - 10)	25-55 (7 - 15)	30-60 (8 - 16)	50-70 (13 - 18)	65-90 (17 - 24)
	ROUNDS PER MINUTE	N.	800 - 1700	800 - 1750	800 - 2300	800 - 2000	900 - 1900	850 - 1800	600 - 1500	500 - 1300
	BACKPRESSURE	BAR (PSI)	30 (435)	30 (435)	30 (435)	30 (435)	30 (435)	30 (435)	30 (435)	30 (435)
	IMPACT ENERGY	J	250	280	400	580	750	950	1200	1700



**STANDARD TECHNICAL FEATURES**

- 1 NITROGEN CHAMBER**  
IT RECOVERS THE NITROGEN'S INERTIAL ENERGY, REDUCING MAINTENANCE COSTS SINCE IT DOES NOT CONTAIN DIAPHRAGMS.
- 2 PROTECTED PIPELINES**  
THEY ARE SUITABLE FOR DRILLING OPERATIONS OF ALL KINDS AND ARE PROTECTED BY A CASING
- 3 LOW-NOISE BODY**  
THE CASING CONSISTS OF A SOUNDPROOFING MATERIAL IN ORDER TO REDUCE THE LEVEL OF NOISE GENERATED
- 4 DOUBLE TOOL RETAINER**  
THE DOUBLE PIN TOOL LOCKING SYSTEM REDUCES ITS WEAR
- 5 MONOBLOC UNIT**  
THE DEMOLITION HAMMER IS BUILT IN A SINGLE BLOCK FOR HIGH RESISTANCE TO LEVERAGE FORCES
- 6 TAPERED SHAPE**  
PROVIDES GREATER VISIBILITY WHEN AT WORK
- 7 CONICAL BIT (STANDARD ONE BIT TO BE CHOSEN BETWEEN CONICAL AND CHISEL)**  
SUITABLE FOR CONCRETE AND MODERATELY HARD UNSTRATIFIED ROCKS
- 8 CHISEL BIT (STANDARD ONE BIT TO BE CHOSEN BETWEEN CONICAL AND CHISEL)**  
SUITABLE FOR MEDIUM-HARD AND STRATIFIED ROCKS

**OPTIONAL**

- 9 BOLTED-IN ADAPTER PLATE**  
IT CAN BE MANUFACTURED FOR ANY BRAND OR MODEL OF HAMMER. IT ENABLE THE COUPLING TO THE MACHINE WITH FIXED OR QUICK COUPLER.
- 10 PILE DRIVER BIT**  
SUITABLE FOR DRIVING POSTS OF VARIOUS KINDS
- 11 ASPHALT CUTTER BIT**  
SUITABLE FOR CUTTING ASPHALT



9 BOLTED-IN ADAPTER PLATE FOR CB55 - CB70



AR15
CR15
CS10
CS10 JANUS PRO
PL10 PIN LOCK
CW05 AUT'O'LOCK
S
CM

9 BOLTED-IN ADAPTER PLATE FOR CB100



AR15
AR30
CR15
CR30
CS10
CS10 JANUS PRO
PL20 PIN LOCK
CW05 AUT'O'LOCK
S
CM

9 BOLTED-IN ADAPTER PLATE FOR CB150



AR30
AR40
CR30
CR40
CS10
CS30
CS10 JANUS PRO
CS30 JANUS PRO
PL20 PIN LOCK
PL40 PIN LOCK
CW05 AUT'O'LOCK
S
CM

9 BOLTED-IN ADAPTER PLATE FOR CB200



AR40
AR50
CR40
CR50
CS30
CS30 JANUS PRO
PL40 PIN LOCK
PL60 PIN LOCK
CW05 AUT'O'LOCK
CW10 AUT'O'LOCK
S
CM

9 BOLTED-IN ADAPTER PLATE FOR CB250



AR40
AR50
CR40
CR50
CS30
CS30 JANUS PRO
PL40 PIN LOCK
PL60 PIN LOCK
CW05 AUT'O'LOCK
CW10 AUT'O'LOCK
S
CM

9 BOLTED-IN ADAPTER PLATE FOR CB300



AR50
AR70
CR50
CR70
CS30
CS80
CS30 JANUS PRO
CS80 JANUS PRO
PL60 PIN LOCK
PL80 PIN LOCK
CW10 AUT'O'LOCK
S
CM

9 BOLTED-IN ADAPTER PLATE FOR CB450



AR70
CR70
CS80
CS80 JANUS PRO
PL60 PIN LOCK
PL80 PIN LOCK
CW10 AUT'O'LOCK
S
CM

9 BOLTED-IN ADAPTER PLATE FOR CB550



CR70
CS80
CS80 JANUS PRO
PL80 PIN LOCK
CW10 AUT'O'LOCK
S
CM



10



11

MOD.	DIAMETER	PILE DRIVER BIT
	MM (IN)	
CB55	100 (3,9)	
	120 (4,7)	
	145 (5,7)	
CB70	100 (3,9)	
	120 (4,7)	
	145 (5,7)	
CB100	100 (3,9)	
	120 (4,7)	
	145 (5,7)	
CB150	180 (7,0)	
	100 (3,9)	
	120 (4,7)	
CB200	120 (4,7)	
	145 (5,7)	
	175 (6,8)	
CB250	120 (4,7)	
	145 (5,7)	
	175 (6,8)	
CB300	200 (7,8)	
	120 (4,7)	
	145 (5,7)	
CB450	175 (6,8)	
	220 (8,6)	
	120 (4,7)	

MOD.	DIAMETER	ASPHALT CUTTER BIT
	MM (IN)	
CB55	120 (4,7)	
	150 (5,9)	
CB70	120 (4,7)	
CB100	150 (5,9)	
	120 (4,7)	
CB150	150 (5,9)	
	120 (4,7)	
CB200	100 (3,9)	
CB250	120 (4,7)	
	195 (7,6)	
CB300	150 (5,9)	
	195 (7,6)	
CB450	120 (4,7)	
	150 (5,9)	
CB550	195 (7,6)	
	195 (7,6)	