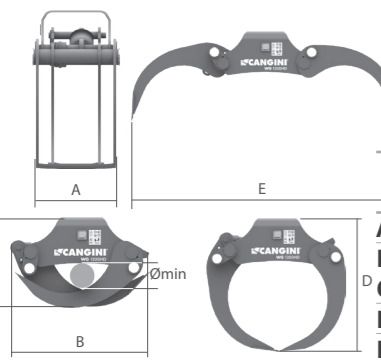




**NB: AT THE TIME OF ORDER, PLEASE NOTIFY THE VOLTAGE OF THE ELECTRICAL SYSTEM (12-24 V)**

THE LOG GRAPPLE CAN BE EQUIPPED WITH 360° HYDRAULIC ROTATION, PARTS SUBJECT TO GREATER WEAR ARE MADE OF DOMEX 700. STANDARD EQUIPMENT INCLUDES A BLOCK VALVE ON THE CLOSING CYLINDER.



TONS (LB)	1,2 - 1,8 (2646-3968)	1,8 - 3,5 (3968-7716)	3,5 - 4,0 (7716-8818)	4,0 - 5,0 (8818-11023)	5,0 - 7,0 (11023-15432)	7,0 - 8,0 (15432-17637)	8,0 - 10,0 (17637-22046)	10,0 - 12,0 (22046 - 26455)	120-150 (26455-33069)	150-180 (33069-39683)	
MOD.	WG 1000	WG 1100	WG 1300	WG 1300HD	WG 1500	WG 1750	WG 1650	WG 1800	WG 2000	WG 1800HD	WG 2000HD
<b>A</b> MM (IN)	330 (13)	395 (16)	425 (17)	425 (17)	490 (19)	500 (20)	514 (20)	582 (23)	582 (23)	630 (25)	630 (25)
<b>B</b> MM (IN)	610 (24)	655 (26)	735 (29)	735 (29)	815 (32)	960 (38)	1030 (41)	1180 (46)	1225 (48)	1180 (46)	1225 (48)
<b>C</b> MM (IN)	410 (16)	440 (17)	495 (19)	495 (19)	580 (23)	630 (25)	600 (24)	680 (27)	730 (29)	680 (27)	730 (29)
<b>D</b> MM (IN)	650 (26)	695 (27)	790 (31)	790 (31)	850 (33)	985 (39)	935 (37)	1005 (40)	1100 (43)	1005 (40)	1100 (43)
<b>E</b> MM (IN)	1090 (43)	1180 (46)	1400 (55)	1400 (55)	1610 (63)	1740 (69)	1650 (65)	1820 (72)	2010 (79)	1820 (72)	2010 (79)
<b>W/O COUPLER</b> KG (LB)	48 (106)	85 (187)	118 (260)	131 (289)	196 (432)	265 (584)	280 (617)	400 (882)	450 (992)	440 (970)	505 (1113)
<b>MIN.</b> MM (IN)	70 (2,8)	80 (3,1)	75 (3)	75 (3)	95 (3,7)	120 (4,7)	100 (3,9)	120 (4,7)	150 (5,9)	120 (4,7)	150 (5,9)
<b>MAX.</b> L/MIN (GALL/MIN)	50 (13)	50 (13)	50 (13)	50 (13)	50 (13)	50 (13)	50 (13)	50 (13)	50 (13)	50 (13)	50 (13)
<b>MAX.</b> KG (LB)	500 (1102)	1900 (4189)	2100 (4630)	2100 (4630)	3100 (6834)	3500 (7716)	4000 (8818)	6000 (13228)	6000 (13228)	7000 (15432)	7000 (15432)
<b>MAX.</b> BAR (PSI)	100 (1450)	200 (2901)	200 (2901)	200 (2901)	200 (2901)	200 (2901)	230 (3336)	250 (3626)	250 (3626)	250 (3626)	250 (3626)

PRICE NOT INCLUDING THE ROTATOR (MANDATORY - CHOICE BETWEEN: 4 / 5 )



**OPTIONAL**

- 1 DOUBLE PIN HITCH (A) OR ADAPTER (B)**
- 2 SINGLE PIN HITCH**
- 3 TWO PIPE KIT**  
IT ENABLES THEIR ROTATION AND THE JAWS' OPENING AND CLOSING FUNCTIONS EVEN ON MACHINES EQUIPPED WITH A SINGLE HYDRAULIC DOUBLE-EFFECT LINE. CONTROL KIT WITH MAGNETS TO EASILY PUT IT INSIDE THE CAB.
- 4 BASIC ROTOR**  
360° SHAFT ROTOR TO DRIVE THE GRABS.
- 5 FLANGED ROTOR**  
360° HYDRAULIC FLANGED ROTOR IDEAL FOR HEAVY DUTY JOBS.