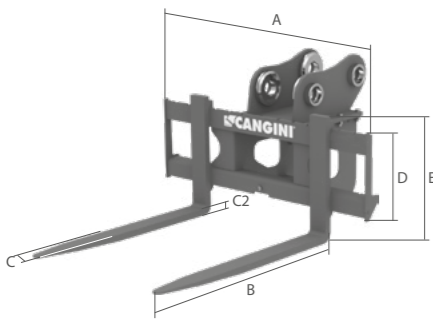
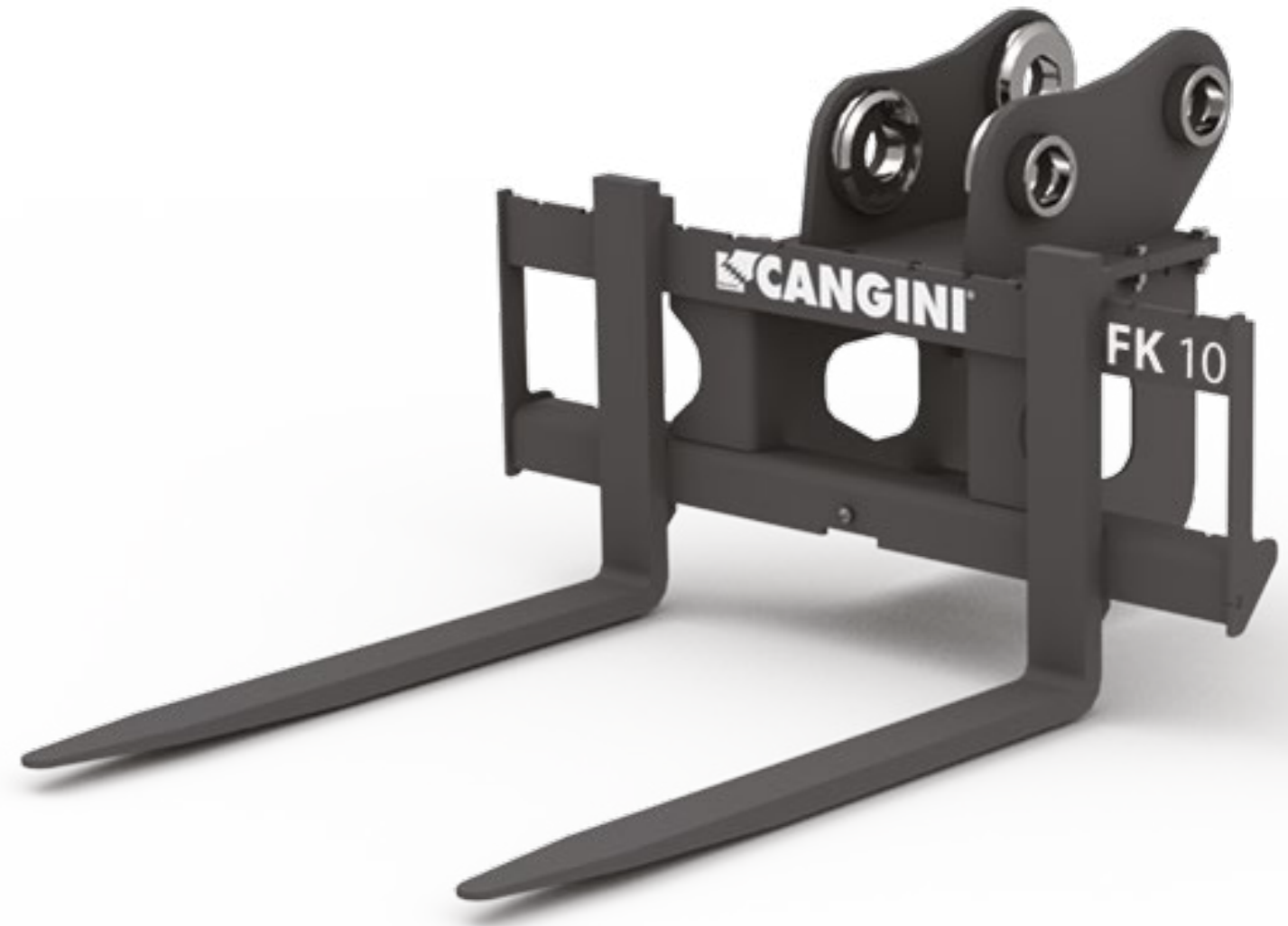






THIS CONFIGURATION ENABLES THE COUPLING TO EXCAVATORS MAKING IT SUITABLE FOR THE HANDLING OF LOADS IN HARD-TO-REACH AREAS. HOWEVER, IT IS IMPORTANT TO CHECK THAT THE EXCAVATOR IS COMPLIANT FOR LIFTING IN ACCORDANCE WITH THE MACHINERY DIRECTIVE.



	MOD.	FK10 S		FK10		FK18 S	
	A	MM (IN)	1150 (45)	1150 (45)	1150 (45)	1150 (45)	1150 (45)
	B	MM (IN)	1000 (39)	1200 (47)	1200 (47)	1200 (47)	1200 (47)
	C	MM (IN)	80 (3,1)	80 (3,1)	80 (3,1)	100 (3,9)	100 (3,9)
	C2	MM (IN)	30 (1,2)	30 (1,2)	30 (1,2)	35 (1,4)	35 (1,4)
	D	MM (IN)	406 (16)	406 (16)	406 (16)	406 (16)	406 (16)
	E	MM (IN)	620 (24)	620 (24)	620 (24)	620 (24)	620 (24)
	W/O COUPLER	KG (LB)	170 (375)	182 (401)	182 (401)	210 (463)	210 (463)
		KG (LB)	1000 (2205)	1000 (2205)	1000 (2205)	1800 (3968)	1800 (3968)

****NB:** THESE CONFIGURATIONS CAN BE INSTALLED ON THE FOLLOWING MODELS: CR, CS UP TO CS80, CW UP TO CW10