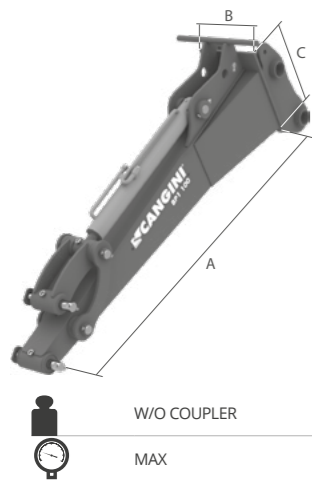




PARTICULARLY SUITED TO OPERATIONS IN AREAS WHERE THE MACHINE'S STANDARD RANGE OF ACTION IS NOT SUFFICIENT. THE EXTENSION ARM IS SUPPLIED AS A "PARTLY COMPLETED MACHINERY" CERTIFICATION IN ACCORDANCE WITH THE ANNEX II-B OF THE 2006/42/EC MACHINERY DIRECTIVES. ITS EC COMPLIANCE WILL BE DECLARED AFTER IT HAS BEEN ATTACHED TO THE MACHINE AND BEFORE ITS REGULAR USE.



TONS (LB)	2,0 - 4,0 (4409-8818)		4,0 - 7,5 (8818-16535)		7,5 - 10,0 (16535-22046)		10,0 - 12,0 (22046-26455)		12,0 - 14,0 (26455-30865)		12,0 - 14,0 (26455-30865)	
MOD.	BP1-100	BP1-120	BP2-150	BP2-180	BP3-190	BP3-220	BP3-250	BP3-275				
A MM (IN)	1000 (39)	1200 (47)	1500 (59)	1800 (71)	1900 (75)	2200 (87)	2500 (98)	2750 (108)				
B MM (IN)	250 (10)	250 (10)	350 (14)	350 (14)	650 (26)	650 (26)	650 (26)	650 (26)				
C MM (IN)	300 (12)	300 (12)	470 (19)	470 (19)	670 (26)	670 (26)	670 (26)	670 (26)				
W/O COUPLER KG (LB)	75 (165)	85 (187)	185 (408)	210 (463)	430 (948)	460 (1014)	495 (1091)	525 (1157)				
MAX BAR (PSI)	200 (2901)	200 (2901)	200 (2901)	200 (2901)	200 (2901)	300 (4351)	300 (4351)	300 (4301)				

