



BTC SHARP-CUT BRANCH CUTTER BAR FOR EXCAVATOR

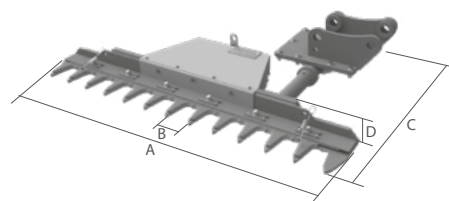


HB450

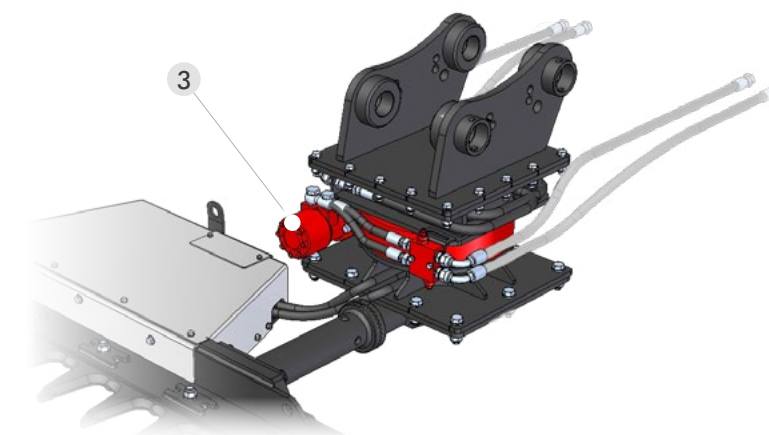


NB: AT THE TIME OF ORDER, PLEASE NOTIFY THE VOLTAGE OF THE ELECTRICAL SYSTEM (12-24 V)

SUITABLE FOR THE TREE PRUNING UP TO 100 MM (3,9 IN). IT DOES NOT HARM THE PLANT, BECAUSE IT CUTS SHARPLY AND PRECISELY WITHOUT UPROOTING THE BRANCH. THE BAR'S BLADES IN HB450 GRANT RESISTANCE AND EXTENDED USEFUL LIFE.



TONS (LB)	2,5 - 12,0 (5512 - 26455)		4,0 - 14,0 (8818 - 30865)			
	MOD.	BTC 50-150	BTC 50-180	BTC 100-160	BTC 100-190	BTC 100-220
A	MM (IN)	1500 (59)	1800 (71)	1600 (63)	1900 (75)	2200 (86,6)
B	MM (IN)	50 (2)	50 (2)	100 (3,9)	100 (3,9)	100 (3,9)
C	MM (IN)	670 (26,4)	670 (26,4)	810 (31,8)	810 (31,8)	810 (31,8)
D	MM (IN)	130 (5,1)	130 (5,1)	155 (6,6)	155 (6,6)	155 (6,6)
W/O COUPLER	KG (LB)	175 (386)	190 (419)	240 (530)	260 (574)	285 (629)
MAX.	BAR (PSI)	250 (3626)	250 (3626)	250 (3626)	250 (3626)	250 (3626)
MIN.	L/MIN (GAL/MIN)	40 (11)	40 (11)	50 (11)	50 (11)	50 (11)
MAX.	L/MIN (GAL/MIN)	50 (13,2)	50 (13,2)	60 (15,8)	60 (15,8)	60 (15,8)
BLOWS PER MINUTE	N.	195	195	86	86	86



STANDARD TECHNICAL FEATURES

- 1 HB450 BLADE**
HB450 BLADES FOR A HIGHER RESISTANCE TO WEAR.
- 2 REVOLVING JOINT**
THE TOOTHED FLANGE NEXT TO COUPLING AREA ALLOWS TO SETTLE THE TILTING DEGREE ACCORDING TO THE CUSTOMER'S NEED.

OPTIONAL

- 3 4 PIPES HYDRAULIC SLEWING RING**
IT ORIENTS THE BRANCH-CUTTER BAR FOR DIFFERENT NEEDS AND IT ALLOWS TO CUT IN BOTH DIRECTIONS.