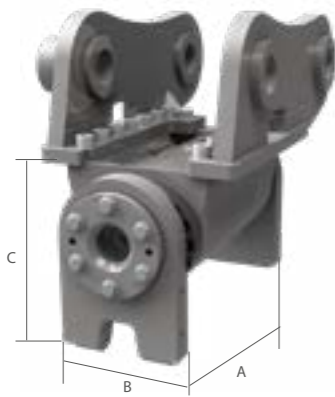




**NB: AT THE TIME OF ORDER, PLEASE NOTIFY THE VOLTAGE OF THE ELECTRICAL SYSTEM (12-24 V)**

TWIST KS HYDRAULIC ACTUATOR ALLOWS AN INCLINATION OF UP TO 180°, INCREASING FLEXIBILITY AND EFFICIENCY OF ALL EQUIPMENT TO SIMPLIFY THE DIGGING OPERATIONS ALSO IN PLACES DIFFICULT TO REACH. THE DESIGN IS COMPACT WITH MINIMAL HEIGHT AND LOW WEIGHT, WHILE ITS ROBUST STRUCTURE ENSURES A LONG WORKING LIFE.



TONS (LB)	1,0 - 2,9 (2204 - 6393)	2,5 - 5,5 (5511 - 12125)	5 - 7,5 (11023 - 16534)	6,0 - 10,0 (13227 - 22046)	9,0 - 14,0 (19841 - 30864)	12,0 - 19,0 (26455 - 41888)	16,0 - 23,0 (35274 - 50706)
MOD.	TWIST KS 02	TWIST KS 05	TWIST KS 07	TWIST KS 10	TWIST KS 14	TWIST KS 19	TWIST KS 23
<b>A</b> MM (IN)	255 (10)	362 (14)	347 (14)	433 (17)	513 (20)	558 (22)	646 (25)
<b>B</b> MM (IN)	110 (4)	140 (6)	146 (6)	170 (7)	288 (11)	338 (13)	400 (16)
<b>C</b> MM (IN)	150 (6)	190 (7)	191 (8)	245 (10)	255 (10)	262 (10)	315 (12)
KG (LB)	49 (108)	72 (159)	80 (176)	130 (287)	195 (430)	300 (661)	415 (915)
°	180	180	180	180	140	140	140
L/MIN (GAL/MIN)	8,0 (2)	10,0 (3)	15,0 (4)	20,0 (5)	28,0 (7)	35,0 (9)	35,0 (9)
BAR (PSI)	250 (3626)	250 (3626)	270 (3916)	310 (4496)	310 (4496)	310 (4496)	310 (4496)



**STANDARD TECHNICAL FEATURES**

- 1 BLOCK VALVE**  
IT ENABLES TO KEEP THE POSITION DECIDED BY THE OPERATOR.

**OPTIONAL**

- 2 HYDRAULIC INSTALLATION KIT**  
WITH THE HYDRAULIC QUICK COUPLER THE INSTALLATION KIT CAN BE PROVIDED, INCLUDING SOLENOID VALVE AND ELECTRIC SWITCH WITH MAGNETS TO EASILY PUT IT INSIDE THE CAB.  
AVAILABLE IN SINGLE EFFECT VERSION (A) OR IN D.E. VERSION - DOUBLE EFFECT (B)

- 3 LIFTING HOOK**  
A HOOK APPROVED FOR LIFTING OPERATIONS CAN BE WELDED DIRECTLY ON THE TWIST.

**MATCHING QUICK COUPLERS**

- 4 AR Fast Lock
- 5 CR Twin Lock • CR Twin Lock D.E. (+Swiss market)
- 6 CS Schnappmatic • CS Schnappmatic D.E. (+Swiss market)
- 7 CS Schnappmatic D.E. CS 100 (+Swiss market)
- 8 CM Sicurmatic • CM Sicurmatic D.E. (+Swiss market)
- 9 S Nordic System • S Nordic System D.E.
- 10 PL Pin Lock • PL Pin Lock D.E.
- 11 CW Aut'o'Lock
- 12 CW Hand'o'Lock • CW Hand'o'Lock D.E.

## MATCHING QUICK COUPLERS



		TONS (LB)	1,0 - 2,9 (2204 - 6393)	2,5 - 4,0 (5511 - 8818)	4,0 - 5,5 (8818 - 12125)	5,0 - 6,0 (11023 - 13228)	6,0 - 7,5 (13228 - 16535)	6,0 - 7,0 (13228 - 15432)	7,0 - 10,0 (15432 - 22046)
			TWIST KS 02	TWIST KS 05	TWIST KS 05	TWIST KS 07		TWIST KS 10	
4		AR FAST LOCK MECHANICAL SEMI-AUTOMATIC	AR 15 S.A. AR 30 S.A.	AR 40 S.A.	AR 50 S.A.	AR 50 S.A.	AR 70 S.A.	AR 70 S.A.	-
		AR FAST LOCK HYDRAULIC SINGLE EFFECT	AR 15 S.E. AR 30 S.E.	AR 40 S.E.	AR 50 S.E.	AR 50 S.E.	AR 70 S.E.	AR 70 S.E.	-
5		CR TWIN LOCK MECHANICAL SEMI-AUTOMATIC	CR 15 S.A. CR 30 S.A.	CR 40 S.A.	CR 50 S.A.	CR 50 S.A.	CR 70 S.A.	CR 70 S.A.	CR 70 S.A.
		CR TWIN LOCK HYDRAULIC SINGLE EFFECT	CR 15 S.E. CR 30 S.E.	CR 40 S.E.	CR 50 S.E.	CR 50 S.E.	CR 70 S.E.	CR 70 S.E.	CR 70 S.E.
		CR TWIN LOCK HYDRAULIC DOUBLE EFFECT / SWISS	CR 15 D.E. CR 30 D.E.	CR 40 D.E.	CR 50 D.E.	CR 50 D.E.	CR 70 D.E.	CR 70 D.E.	CR 70 D.E.
6		CS SCHNAPPMATIC MECHANICAL SEMI-AUTOMATIC	CS 10 S.A.	CS 30 S.A.	CS 30 S.A.	CS 80 S.A.	CS 80 S.A.	CS 80 S.A.	CS 80 S.A.
		CS SCHNAPPMATIC HYDRAULIC SINGLE EFFECT	CS 10 S.E.	CS 30 S.E.	CS 30 S.E.	CS 80 S.E.	CS 80 S.E.	CS 80 S.E.	CS 80 S.E.
		CS SCHNAPPMATIC HYDRAULIC DOUBLE EFFECT / SWISS	CS 10 D.E.	CS 30 D.E.	CS 30 D.E.	CS 80 D.E.	CS 80 D.E.	CS 80 D.E.	CS 80 D.E.
7		CS 100 SCHNAPPMATIC HYDRAULIC DOUBLE EFFECT / SWISS	-	-	-	-	-	-	-
8		CM SICURMATIC MECHANICAL SEMI-AUTOMATIC / SWISS	CM 20 S.A.	-	CM 100 S.A.	CM 100 S.A.	CM 100 S.A.	CM 100 S.A.	CM 100 S.A.
		CM SICURMATIC MECHANICAL SEMI-AUTOMATIC / SWISS	CM 30 S.A.	-	-	-	-	-	-
		CM SICURMATIC HYDRAULIC DOUBLE EFFECT / SWISS	CM 30 D.E.	CM 30 D.E.	CM 100 D.E.	CM 100 D.E.	CM 100 D.E.	CM 100 D.E.	CM 100 D.E.
9		S NORDIC SYSTEM MECHANICAL SEMI-AUTOMATIC	S 30-150/180 S.A.	S 40-200 S.A.	S 40-200 S.A.	S 40-200 S.A.	-	-	-
		S NORDIC SYSTEM HYDRAULIC DOUBLE EFFECT	S 30-150/180 D.E.	S 40-200 D.E.	S 40-200 D.E.	S 40-200 D.E.	S 45 D.E. S 50 D.E.	S 45 D.E. S 50 D.E.	S 45 D.E. S 50 D.E.
10		PL PIN LOCK MECHANICAL	PL 10 PL 20	PL 40	PL 60	PL 60	PL 60	PL 60	PL 80
		PL PIN LOCK HYDRAULIC DOUBLE EFFECT	-	PL 40 D.E.	PL 60 D.E.	PL 60 D.E.	PL 60 D.E.	PL 60 D.E.	PL 80 D.E.
11		CW AUT'O'LOCK MECHANICAL SEMI-AUTOMATIC	CW 05 S.A.	CW 05 S.A.	CW 10 S.A.	CW 10 S.A.	CW 10 S.A.	CW 10 S.A.	CW 10 S.A.
12		CW HAND'O'LOCK MECHANICAL	CW 05	CW 05	CW 10	CW 10	CW 10	CW 10	CW 10
		CW HAND'O'LOCK HYDRAULIC DOUBLE EFFECT	CW 05 D.E.	CW 05 D.E.	CW 10 D.E.	CW 10 D.E.	CW 10 D.E.	CW 10 D.E.	CW 10 D.E.

## MATCHING QUICK COUPLERS



		TONS (LB)	9,0 - 10,0 (19842 - 22046)	10,0 - 11,0 (22046 - 24250)	11,0 - 12,0 (24251 - 26455)	12,0 - 14,0 (26455 - 30865)	12,0 - 15,0 (26455 - 33069)	15,0 - 19,0 (33069 - 41888)	16,0 - 18,0 (35274 - 39683)	18,0 - 19,0 (39683 - 41888)	19,0 - 23,0 (41888 - 50706)	
			<b>TWIST KS 14</b>			<b>TWIST KS 14</b>		<b>TWIST KS 19</b>			<b>TWIST KS 23</b>	
4		AR FAST LOCK MECHANICAL SEMI-AUTOMATIC	-	-	-	-	-	-	-	-	-	
		AR FAST LOCK HYDRAULIC SINGLE EFFECT	-	-	-	-	-	-	-	-	-	
5		CR TWIN LOCK MECHANICAL SEMI-AUTOMATIC	<b>CR 70 S.A.</b>	<b>CR 70 S.A.</b>	<b>CR 70 S.A.</b>	-	-	-	-	-	-	
		CR TWIN LOCK HYDRAULIC SINGLE EFFECT	<b>CR 70 S.E.</b>	<b>CR 70 S.E.</b>	<b>CR 70 S.E.</b>	-	-	-	-	-	-	
		CR TWIN LOCK HYDRAULIC DOUBLE EFFECT / SWISS	<b>CR 70 D.E.</b>	<b>CR 70 D.E.</b>	<b>CR 70 D.E.</b>	-	-	-	-	-	-	
6		CS SCHNAPPMATIC MECHANICAL SEMI-AUTOMATIC	<b>CS 80 S.A.</b>	<b>CS 80 S.A.</b>	<b>CS 80 S.A.</b>	-	-	-	-	-	-	
		CS SCHNAPPMATIC HYDRAULIC SINGLE EFFECT	<b>CS 80 S.E.</b>	<b>CS 80 S.E.</b>	<b>CS 80 S.E.</b>	-	-	-	-	-	-	
		CS SCHNAPPMATIC HYDRAULIC DOUBLE EFFECT / SWISS	<b>CS 80 D.E.</b>	<b>CS 80 D.E.</b>	<b>CS 80 D.E.</b>	-	-	-	-	-	-	
7		CS 100 SCHNAPPMATIC HYDRAULIC DOUBLE EFFECT / SWISS	-	-	-	<b>CS 100 D.E.</b>	<b>CS 100 D.E.</b>	<b>CS 100 D.E.</b>	<b>CS 100 D.E.</b>	<b>CS 100 D.E.</b>	-	
8		CM SICURMATIC MECHANICAL SEMI-AUTOMATIC / SWISS	<b>CM 100 S.A.</b>	-	-	-	-	-	-	-	-	
		CM SICURMATIC HYDRAULIC DOUBLE EFFECT / SWISS	<b>CM 100 D.E.</b>	<b>CM 180 D.E.</b>	<b>CM 180 D.E.</b>	<b>CM 180 D.E.</b>	<b>CM 180 D.E.</b>	<b>CM 180 D.E.</b>	<b>CM 180 D.E.</b>	-	-	
9		S NORDIC SYSTEM MECHANICAL SEMI-AUTOMATIC	-	-	-	-	-	-	-	-	-	
		S NORDIC SYSTEM HYDRAULIC DOUBLE EFFECT	<b>S 45 D.E.</b>	<b>S 45 D.E.</b>	<b>S 60 D.E.</b>	<b>S 60 D.E.</b>	<b>S 60 D.E.</b>	<b>S 60 D.E.</b>	<b>S 60 D.E.</b>	-	-	
10		PL PIN LOCK MECHANICAL	<b>PL 80</b>	-	-	-	-	-	-	-	-	
		PL PIN LOCK HYDRAULIC DOUBLE EFFECT	<b>PL 80 D.E.</b>	<b>PL 100 D.E.</b>	<b>PL 100 D.E.</b>	<b>PL 100 D.E.</b>	<b>PL 100 D.E.</b>	-	-	-	-	
11		CW AUTO'LOCK MECHANICAL SEMI-AUTOMATIC	<b>CW 10 S.A.</b>	-	-	-	-	-	-	-	-	
12		CW HAND'O'LOCK MECHANICAL	<b>CW 10</b>	-	-	-	-	-	-	-	-	
		CW HAND'O'LOCK HYDRAULIC DOUBLE EFFECT	<b>CW 10 D.E.</b>	<b>CW 20 D.E.</b>	<b>CW 20 D.E.</b>	<b>CW 20 D.E.</b>	<b>CW 20 D.E.</b>	<b>CW 20 D.E.</b>	<b>CW 20 D.E.</b>	<b>CW 30 D.E.</b>	<b>CW 30 D.E.</b>	