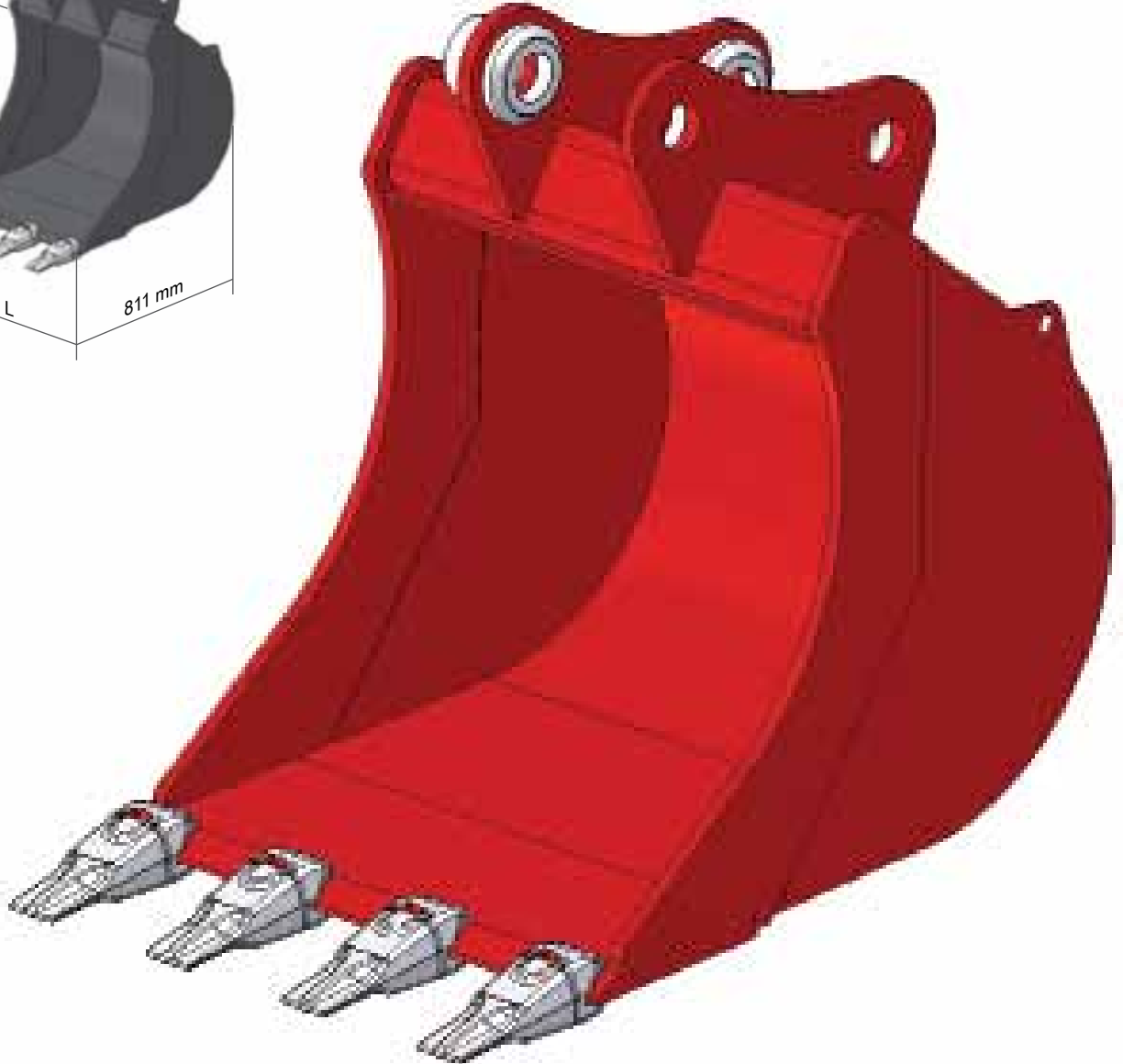
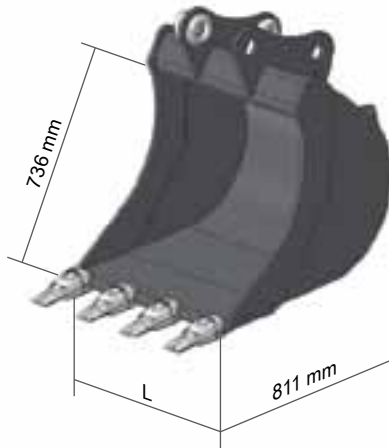


INDEX

STANDARD DIGGING BUCKET _____	SC73 _____	PAG. 316
STANDARD DITCH CLEANING BUCKET _____	SP55 _____	PAG. 318
STANDARD PIVOTING DITCH CLEANING BUCKET _____	SQ55 _____	PAG. 320
REINFORCED DIGGING BUCKET _____	SCR73 _____	PAG. 322
REINFORCED STONE BUCKET _____	SB73 _____	PAG. 324
REINFORCED DITCH CLEANING BUCKET _____	SPR55 _____	PAG. 326
REINFORCED PIVOTING DITCH CLEANING BUCKET _____	SQR55 _____	PAG. 328
TRAPEZOIDAL BUCKET _____	T73 _____	PAG. 330
SKELETON BUCKET _____	VE73 _____	PAG. 332
HAMMER ADAPTER PLATE WITH CONNECTOR _____	SM73 _____	PAG. 334
BOLTED HAMMER ADAPTER PLATE _____	SM73 _____	PAG. 335
HOLLAND DIGGING BUCKET _____	SCN85 _____	PAG. 336
HOLLAND STONE BUCKET (BANANA) _____	BN90 _____	PAG. 338
HOLLAND SKELETON BUCKET _____	VN85 _____	PAG. 340
HOLLAND DITCH CLEANING BUCKET _____	SPN66 _____	PAG. 342
HOLLAND PIVOTING DITCH CLEANING BUCKET _____	SQN66 _____	PAG. 344

STANDARD DIGGING BUCKET

Standard digging bucket suitable for medium hard soils. Available in different sizes depending on the employment. All buckets can be equipped with bolted teeth, welded capsule teeth.



ADAPTERS



AR70

pag.84



CR70

pag.86



CS80

pag.88



CS80 JANUS

pag.88



CW AUTOLOCK 10

pag.90

TECHNICAL SPECIFICATION

L/mm	*	CAP. SAE	N° TEETH	ATTACHMENT
300**	82	76	2	AF
300	82	76	2	AR
300	82	76	2	CR
300	82	76	2	CS
300	82	76	2	CS Janus
300	82	76	2	CW
350	89	94	3	AF
350	89	94	3	AR
350	89	94	3	CR
350	89	94	3	CS
350	89	94	3	CS Janus
350	89	94	3	CW
400	94	113	3	AF
400	94	113	3	AR
400	94	113	3	CR
400	94	113	3	CS
400	94	113	3	CS Janus
400	94	113	3	CW
450	103	133	3	AF
450	103	133	3	AR
450	103	133	3	CR
450	103	133	3	CS
450	103	133	3	CS Janus
450	103	133	3	CW
500	111	153	3	AF
500	111	153	3	AR
500	111	153	3	CR
500	111	153	3	CS
500	111	153	3	CS Janus
500	111	153	3	CW
600	127	196	4	AF
600	127	196	4	AR
600	127	196	4	CR
600	127	196	4	CS
600	127	196	4	CS Janus
600	127	196	4	CW
700	143	240	4	AF
700	143	240	4	AR
700	143	240	4	CR
700	143	240	4	CS
700	143	240	4	CS Janus
700	143	240	4	CW
800	159	286	5	AF
800	159	286	5	AR
800	159	286	5	CR
800	159	286	5	CS
800	159	286	5	CS Janus
800	159	286	5	CW
900	175	333	5	AF
900	175	333	5	AR
900	175	333	5	CR
900	175	333	5	CS
900	175	333	5	CS Janus
900	175	333	5	CW
1000	191	379	5	AF
1000	191	379	5	AR
1000	191	379	5	CR
1000	191	379	5	CS
1000	191	379	5	CS Janus
1000	191	379	5	CW
1100	207	430	5	AF
1100	207	430	5	AR
1100	207	430	5	CR
1100	207	430	5	CS
1100	207	430	5	CS Janus
1100	207	430	5	CW

* the weight of the bucket is calculated without attachment and teeth

** warning all the attachments are larger than buckets

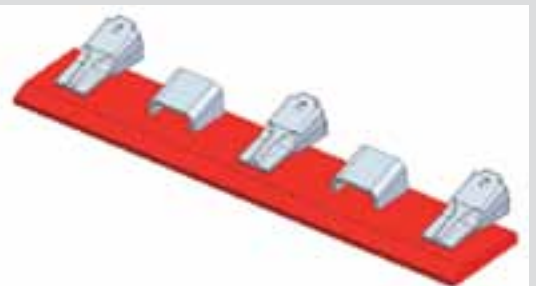
OPTIONAL



SAVE BLADE WELDED KIT + SIDE CUTTER KIT

L/mm			L/mm		
300			700		
350			800		
400			900		
450			1000		
600			1100		

OPTIONAL



ADDITIONAL CUTTING EDGES

L/mm		L/mm	
300		700	
350		800	
400		900	
450		1000	
500		1100	
600			

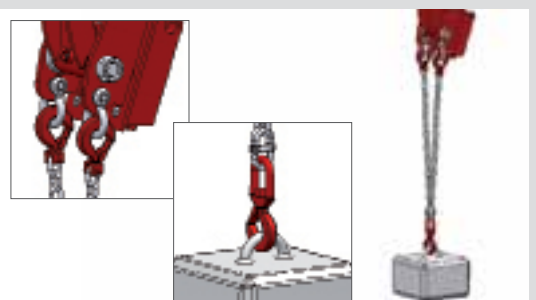
OPTIONAL



TWIST 180

pag.94

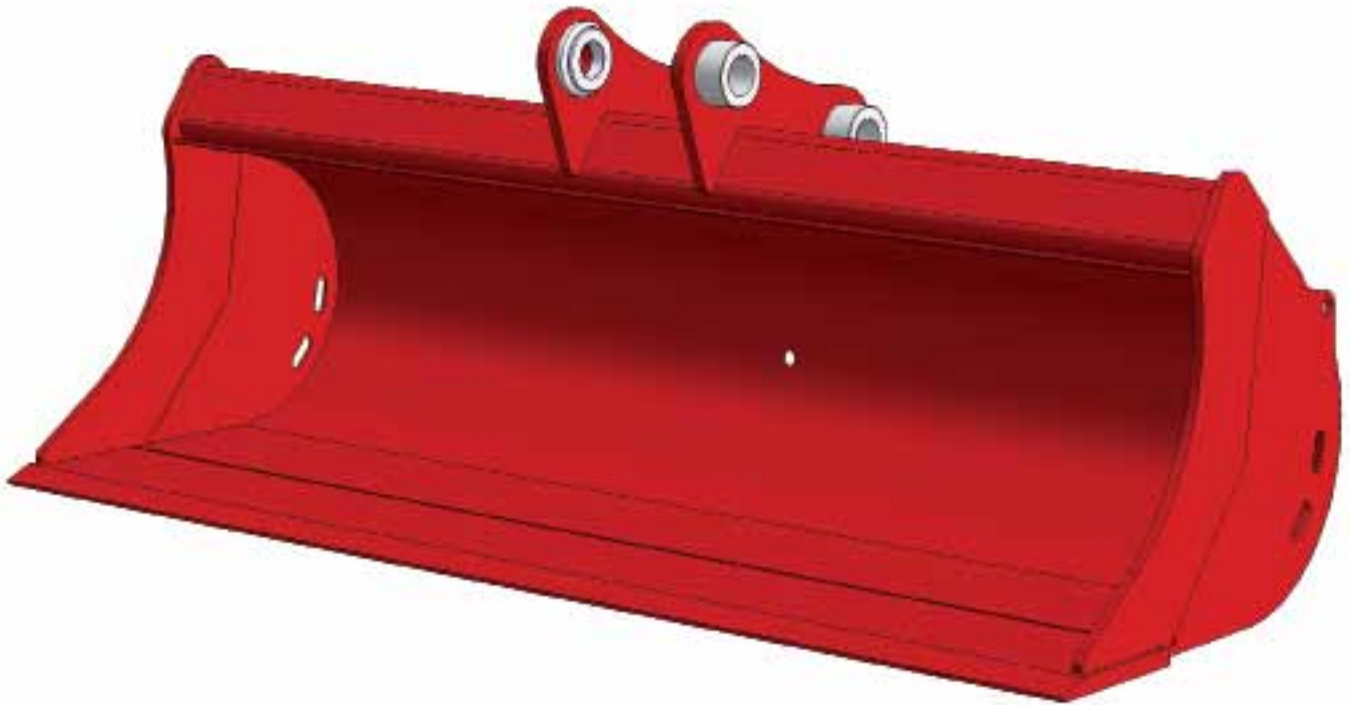
OPTIONAL



MOVEMENT HOOK

STANDARD DITCH CLEANING BUCKET

Bucket for cleaning and leveling of roads, ditches and slopes. Available in different sizes depending on the employment. On request can be applied several optional.



ADAPTERS



AR70

pag.84



CR70

pag.86



CS80

pag.88



CS80 JANUS

pag.88

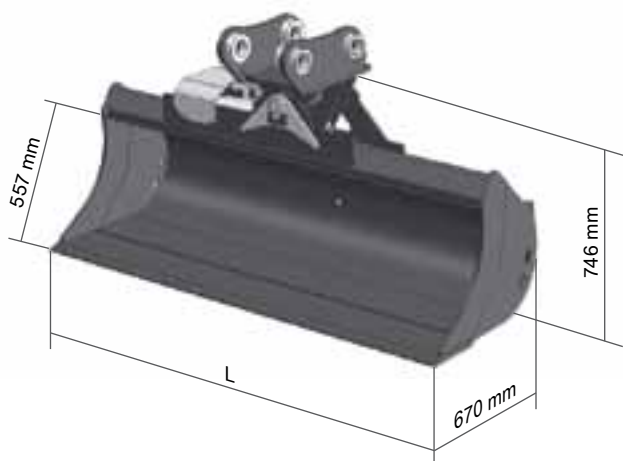
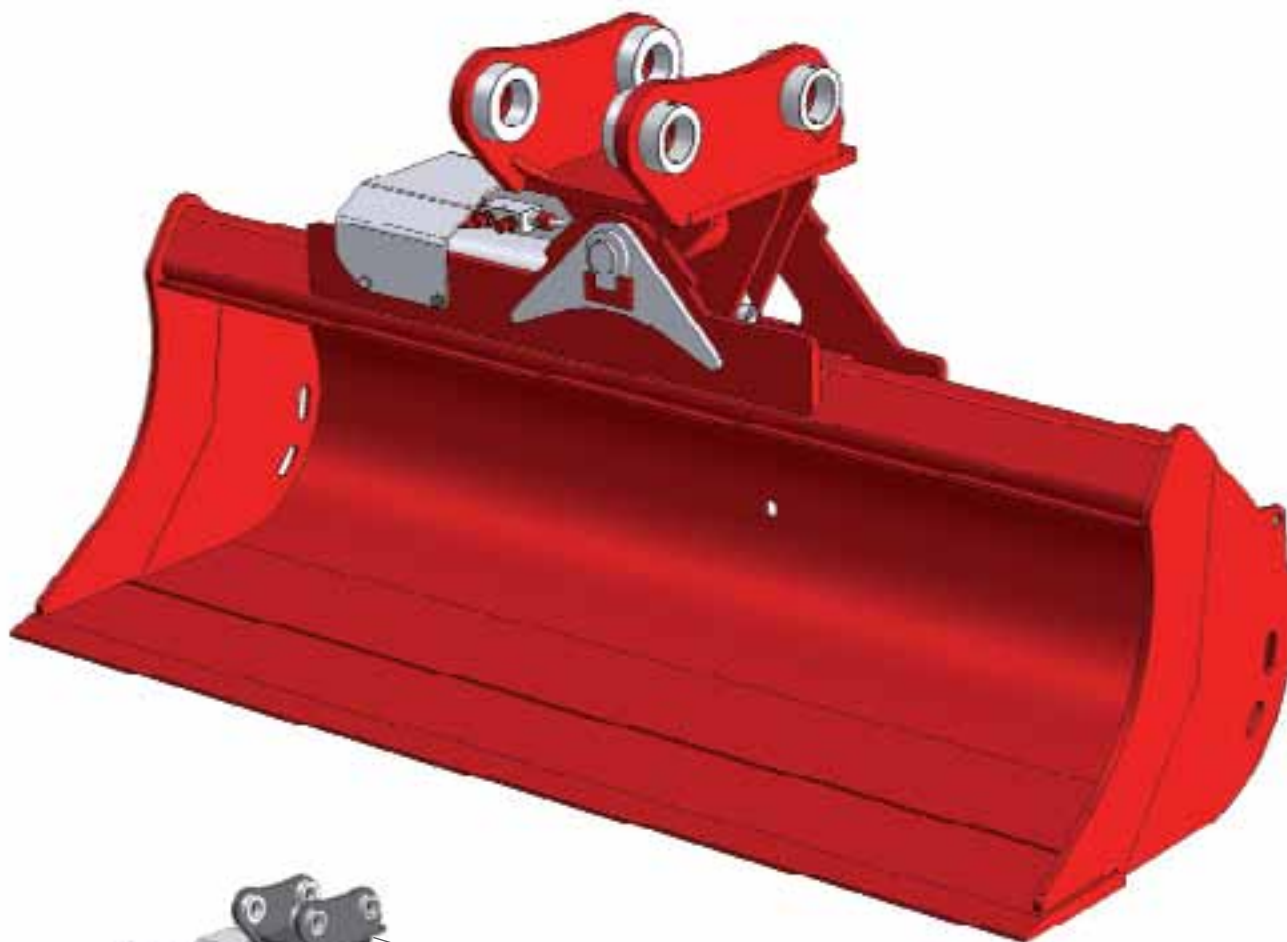


CW AUTOLOCK 10

pag.90

STANDARD PIVOTING DITCH CLEANING BUCKET

Bucket used for cleaning and leveling of roads, ditches and slopes. Hydraulic Tilting of 45° in both sides. Available in different sizes depending on the employment. On request can be applied several optional.



ADAPTERS



AR70

pag.84



CR70

pag.86



CS80

pag.88



CS80 JANUS

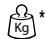
pag.88



CW AUTOLOCK 10

pag.90

TECHNICAL SPECIFICATION

L/mm	 *	CAP. SAE	ATTACHMENT
1200	285	326	AF
1200	285	326	AR
1200	285	326	CR
1200	285	326	CS
1200	285	326	CS Janus
1200	285	326	CW
1400	314	387	AF
1400	314	387	AR
1400	314	387	CR
1400	314	387	CS
1400	314	387	CS Janus
1400	314	387	CW
1600	342	447	AF
1600	342	447	AR
1600	342	447	CR
1600	342	447	CS
1600	342	447	CS Janus
1600	342	447	CW
1800	371	507	AF
1800	371	507	AR
1800	371	507	CR
1800	371	507	CS
1800	371	507	CS Janus
1800	371	507	CW

* the weight of the bucket is calculated without attachment and teeth

OPTIONAL



ADDITIONAL CUTTING EDGES

L/mm	
1200	
1400	
1500	
1800	

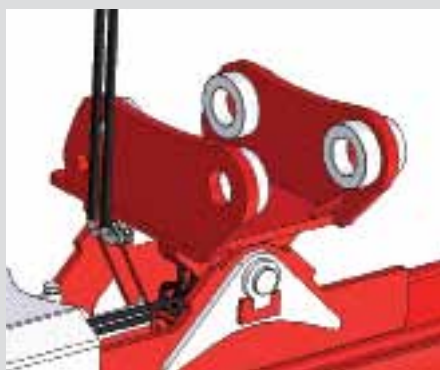
TILTING DETAIL - 45° + 45°



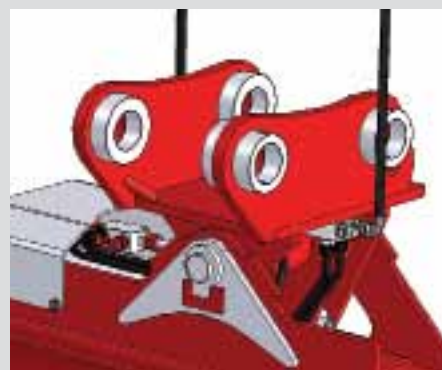
OPTIONAL



KIT HOSES RG



KIT HOSES LF



KIT HOSES RG + LF

OPTIONAL



REINFORCEMENT

OPTIONAL



LATERAL CUTTERS + REINFORCE

OPTIONAL

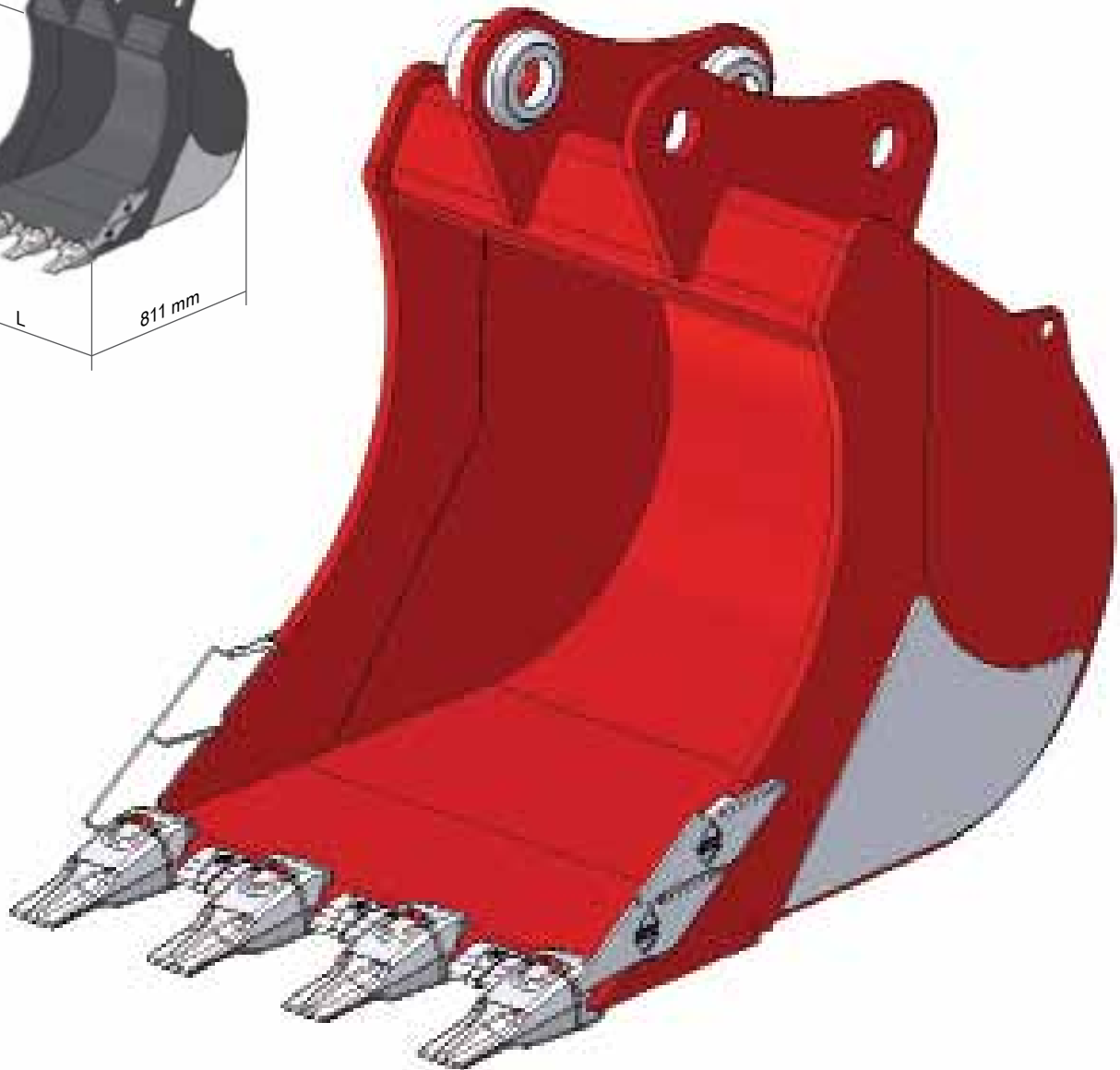
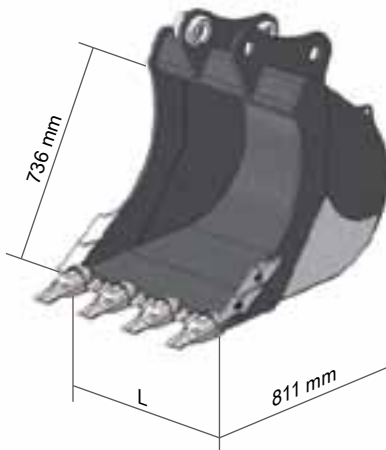


BEHIND BLADE

L/mm	
1200	
1400	
1600	
1800	

REINFORCED DIGGING BUCKET

Evolution of the standard digging bucket through the application of HB400 reinforcements at points of increased wear (bottom and sides), side cutters and melting "save blade". This bucket is particularly suitable for use on hard surfaces and rocky soils. It is equipped with welded capsule teeth.



ADAPTERS



AR70

pag.84



CR70

pag.86



CS80

pag.88



CS80 JANUS

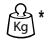
pag.88



CW AUTOLOCK 10

pag.90

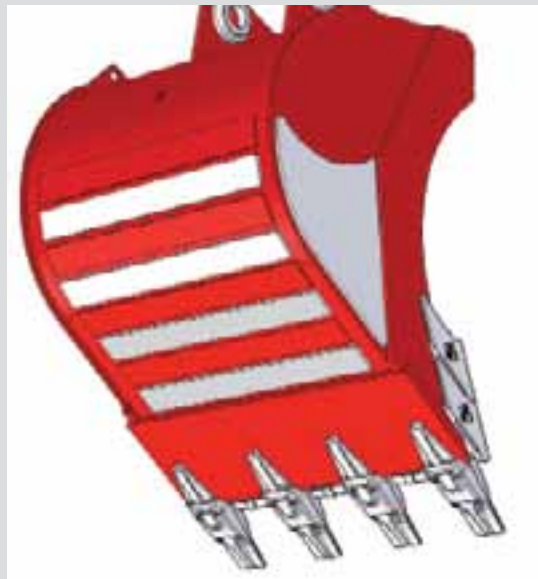
TECHNICAL SPECIFICATION

L/mm	 Kg *	CAP. SAE	N° TEETH	ATTACHMENT
300**	96	76	2	AF
300	96	76	2	AR
300	96	76	2	CR
300	96	76	2	CS
300	96	76	2	CS Janus
300	96	76	2	CW
350	103	94	3	AF
350	103	94	3	AR
350	103	94	3	CR
350	103	94	3	CS
350	103	94	3	CS Janus
350	103	94	3	CW
400	110	113	3	AF
400	110	113	3	AR
400	110	113	3	CR
400	110	113	3	CS
400	110	113	3	CS Janus
400	110	113	3	CW
450	120	133	3	AF
450	120	133	3	AR
450	120	133	3	CR
450	120	133	3	CS
450	120	133	3	CS Janus
450	120	133	3	CW
500	129	153	3	AF
500	129	153	3	AR
500	129	153	3	CR
500	129	153	3	CS
500	129	153	3	CS Janus
500	129	153	3	CW
600	136	196	4	AF
600	136	196	4	AR
600	136	196	4	CR
600	136	196	4	CS
600	136	196	4	CS Janus
600	136	196	4	CW
700	164	240	4	AF
700	164	240	4	AR
700	164	240	4	CR
700	164	240	4	CS
700	164	240	4	CS Janus
700	164	240	4	CW
800	182	286	5	AF
800	182	286	5	AR
800	182	286	5	CR
800	182	286	5	CS
800	182	286	5	CS Janus
800	182	286	5	CW
900	200	333	5	AF
900	200	333	5	AR
900	200	333	5	CR
900	200	333	5	CS
900	200	333	5	CS Janus
900	200	333	5	CW
1000	219	379	5	AF
1000	219	379	5	AR
1000	219	379	5	CR
1000	219	379	5	CS
1000	219	379	5	CS Janus
1000	219	379	5	CW
1100	237	430	5	AF
1100	237	430	5	AR
1100	237	430	5	CR
1100	237	430	5	CS
1100	237	430	5	CS Janus
1100	237	430	5	CW

* the weight of the bucket is calculated without attachment and teeth

** warning all the attachments are larger than buckets

REINFORCE DETAILS



OPTIONAL



ADDITIONAL CUTTING EDGES

L/mm	L/mm
300	700
350	800
400	900
450	1000
500	1100
600	

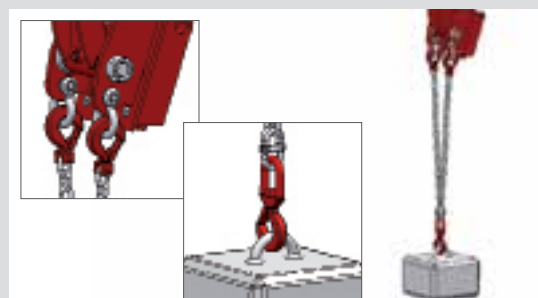
OPTIONAL



TWIST 180

pag.94

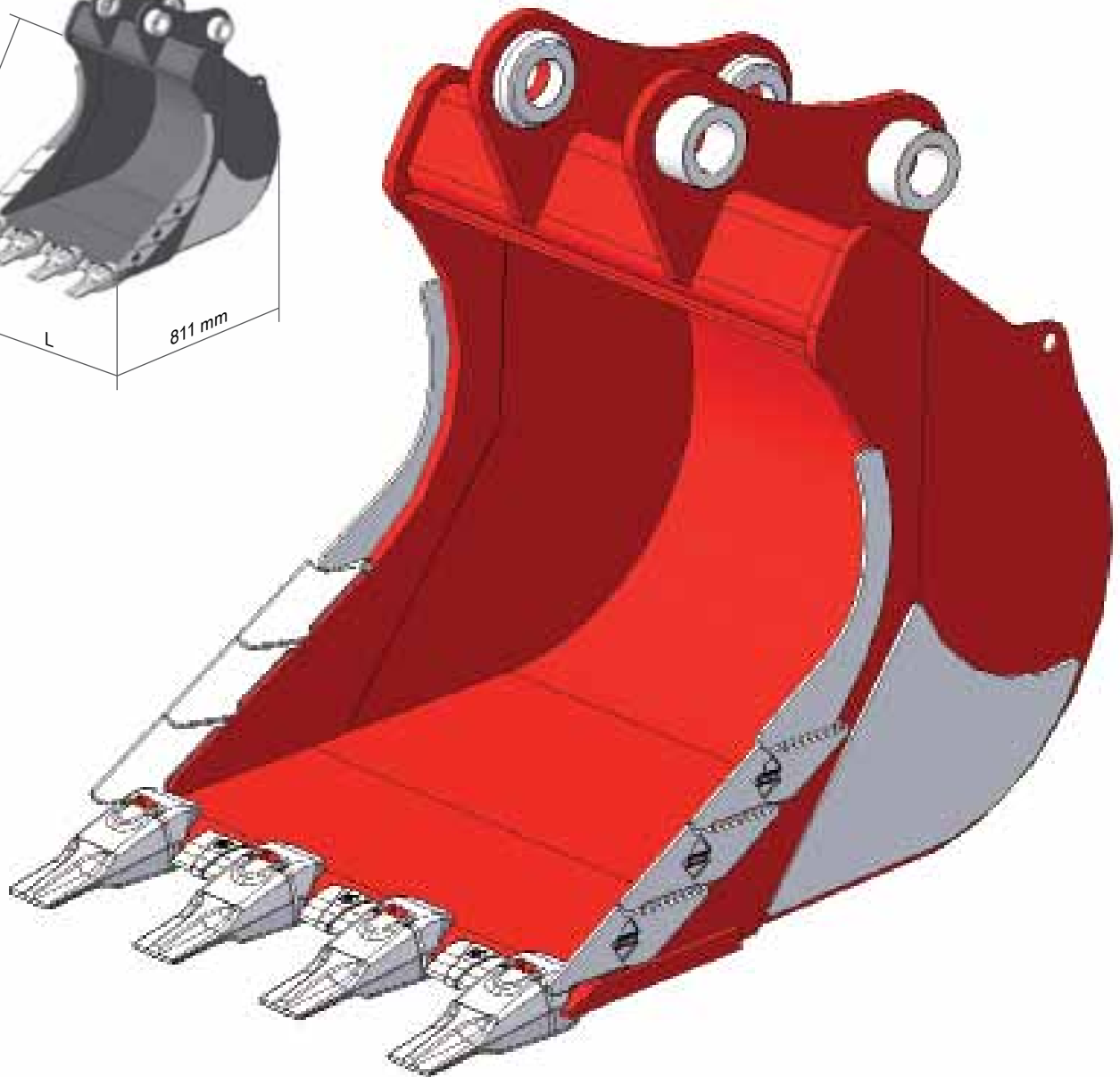
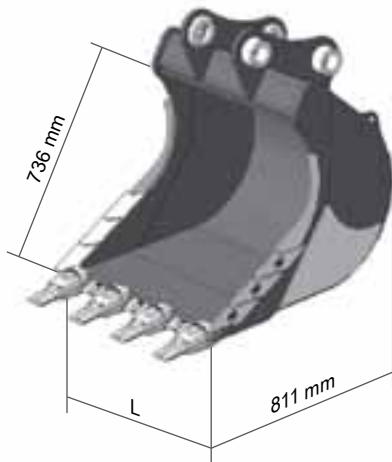
OPTIONAL



MOVEMENT HOOK

REINFORCED STONE BUCKET

Bucket designed with a washy profile to facilitate the displacement of stone blocks. Through the application of HB400 reinforcements at points of increased wear (bottom and sides), side cutters and melting save blade, this bucket is particularly suitable for use on hard surfaces and for the transport of stone blocks. This type of bucket is equipped with welded capsule teeth.



ADAPTERS



AR70

pag.84



CR70

pag.86



CS80

pag.88



CS80 JANUS

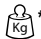
pag.88



CW AUTOLOCK 10

pag.90

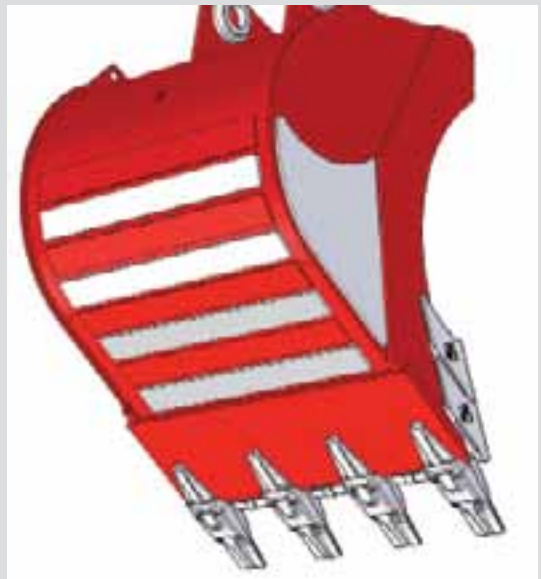
TECHNICAL SPECIFICATION

L/mm	 *	CAP. SAE	N° TEETH	ATTACHMENT
300**	89	76	2	AF
300	89	76	2	AR
300	89	76	2	CR
300	89	76	2	CS
300	89	76	2	CS Janus
300	89	76	2	CW
350	89	76	3	AF
350	89	76	3	AR
350	89	76	3	CR
350	89	76	3	CS
350	89	76	3	CS Janus
350	89	76	3	CW
400	89	76	3	AF
400	89	76	3	AR
400	89	76	3	CR
400	89	76	3	CS
400	89	76	3	CS Janus
400	89	76	3	CW
450	89	76	3	AF
450	89	76	3	AR
450	89	76	3	CR
450	89	76	3	CS
450	89	76	3	CS Janus
450	89	76	3	CW
500	89	76	3	AF
500	89	76	3	AR
500	89	76	3	CR
500	89	76	3	CS
500	89	76	3	CS Janus
500	89	76	3	CW
600	129	196	4	AF
600	129	196	4	AR
600	129	196	4	CR
600	129	196	4	CS
600	129	196	4	CS Janus
600	129	196	4	CW
700	157	240	4	AF
700	157	240	4	AR
700	157	240	4	CR
700	157	240	4	CS
700	157	240	4	CS Janus
700	157	240	4	CW
800	174	286	5	AF
800	174	286	5	AR
800	174	286	5	CR
800	174	286	5	CS
800	174	286	5	CS Janus
800	174	286	5	CW
900	193	333	5	AF
900	193	333	5	AR
900	193	333	5	CR
900	193	333	5	CS
900	193	333	5	CS Janus
900	193	333	5	CW
1000	212	379	5	AF
1000	212	379	5	AR
1000	212	379	5	CR
1000	212	379	5	CS
1000	212	379	5	CS Janus
1000	212	379	5	CW
1100	230	430	5	AF
1100	230	430	5	AR
1100	230	430	5	CR
1100	230	430	5	CS
1100	230	430	5	CS Janus
1100	230	430	5	CW

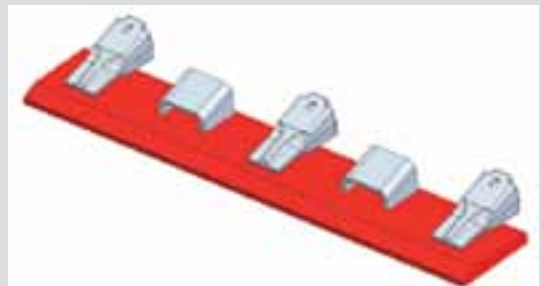
* the weight of the bucket is calculated without attachment and teeth

** warning all the attachments are larger than buckets

REINFORCE DETAILS



OPTIONAL



ADDITIONAL CUTTING EDGES

L/mm	L/mm
300	700
350	800
400	900
450	1000
500	1100
600	

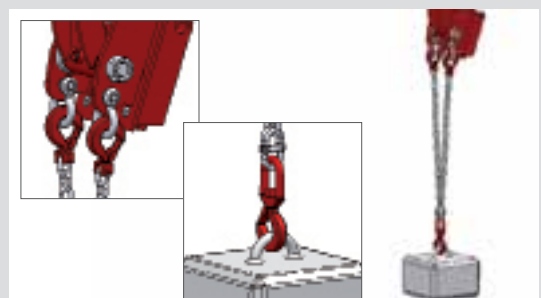
OPTIONAL



TWIST 180

pag.94

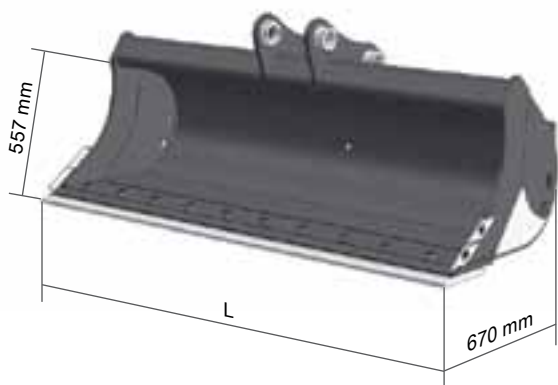
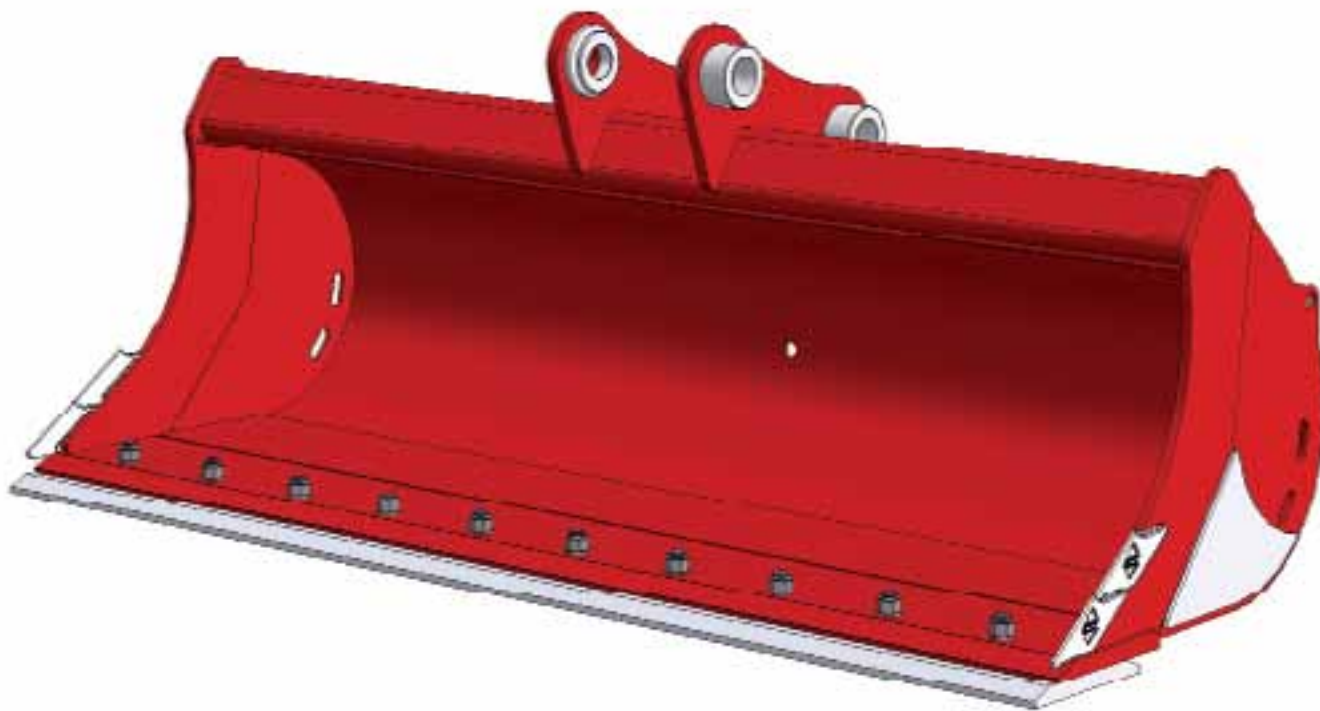
OPTIONAL



MOVEMENT HOOK

REINFORCED DITCH CLEANING BUCKET

Evolution of the standard ditch cleaning bucket. The application of HB400 reinforcements at points of increased wear (bottom and sides), the application of side welded cutters and the additional bolted blade make this bucket suitable for hard surfaces.



ADAPTERS



AR70

pag.84



CR70

pag.86



CS80

pag.88



CS80 JANUS

pag.88

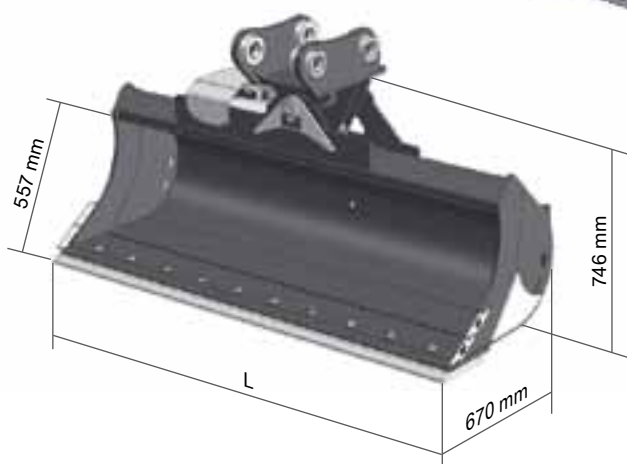
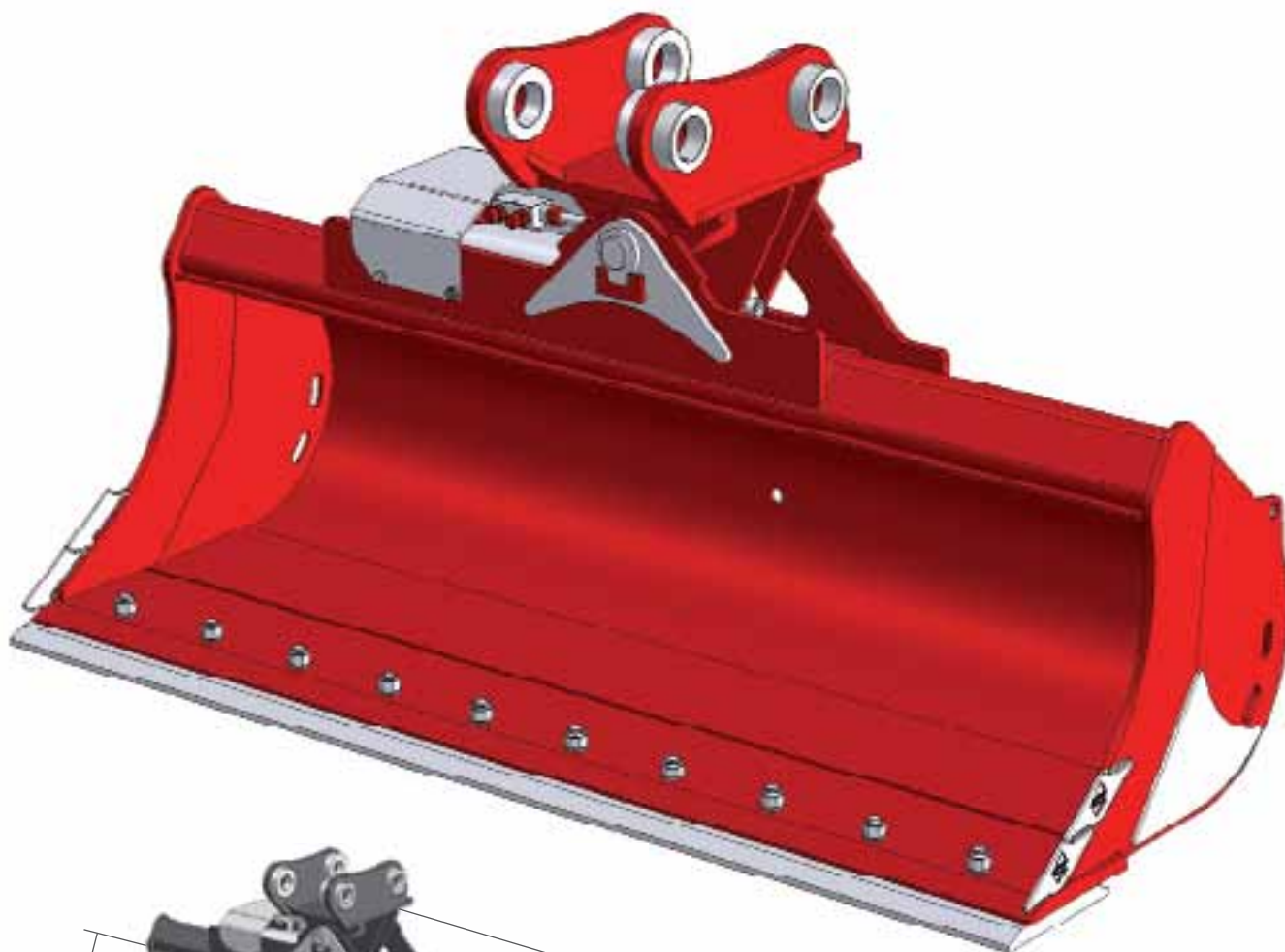


CW AUTOLOCK 10

pag.90

REINFORCED PIVOTING DITCH CLEANING BUCKET

Evolution of the standard ditch cleaning tilting bucket. The application of HB400 reinforcements at the points of increased wear (bottom and sides), side welded cutters and additional bolted blade make this bucket suitable to hard surfaces. The hydraulic tilting in both directions is 45°.



ADAPTERS



AR70

pag.84



CR70

pag.86



CS80

pag.88



CS80 JANUS


pag.88



CW AUTOLOCK 10

pag.90

TECHNICAL SPECIFICATION

L/mm	 *	CAP. SAE	ATTACHMENT
1200	336	326	AF
1200	336	326	AR
1200	336	326	CR
1200	336	326	CS
1200	336	326	CS Janus
1200	336	326	CW
1400	372	387	AF
1400	372	387	AR
1400	372	387	CR
1400	372	387	CS
1400	372	387	CS Janus
1400	372	387	CW
1600	408	447	AF
1600	408	447	AR
1600	408	447	CR
1600	408	447	CS
1600	408	447	CS Janus
1600	408	447	CW
1800	444	507	AF
1800	444	507	AR
1800	444	507	CR
1800	444	507	CS
1800	444	507	CS Janus
1800	444	507	CW

* the weight of the bucket is calculated without attachment and teeth

REINFORCE DETAILS



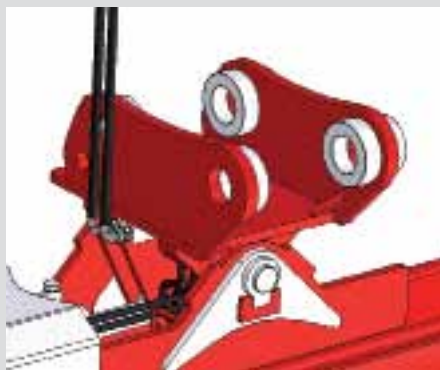
TILTING DETAIL - 45° + 45°



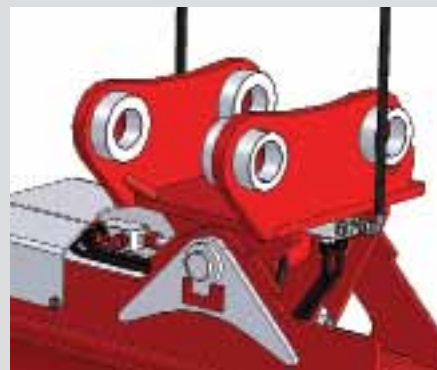
OPTIONAL



KIT HOSES RG



KIT HOSES LF



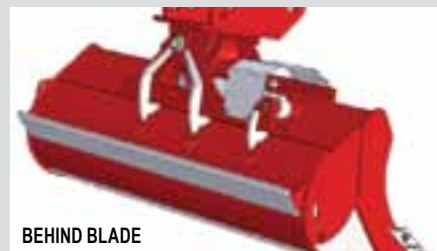
KIT HOSES RG + LF

OPTIONAL



REINFORCEMENT

OPTIONAL

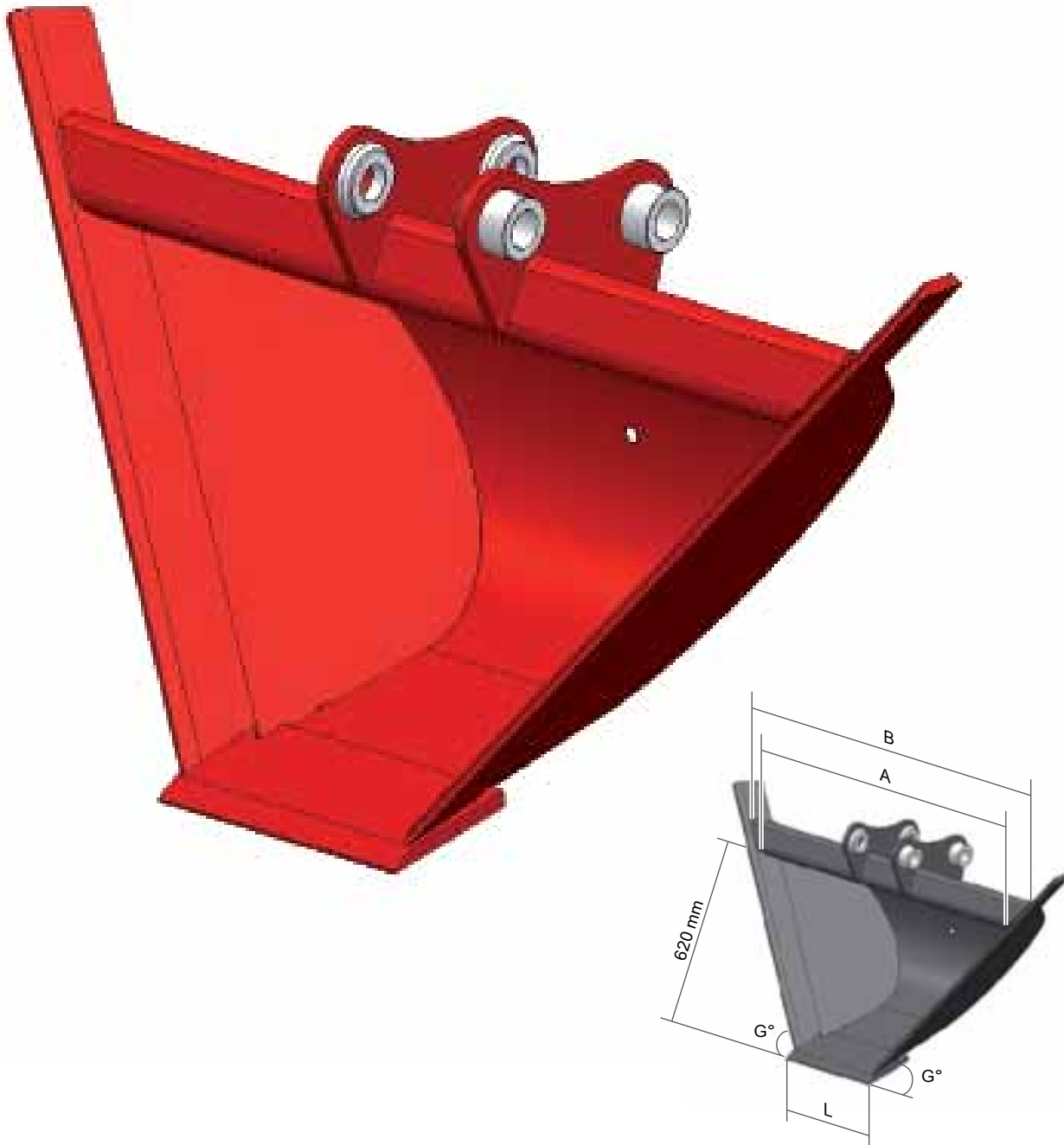


BEHIND BLADE

L/mm	
1200	
1400	
1600	
1800	

TRAPEZOIDAL BUCKET

Used for creation and maintenance of ditches. Particularly suitable for medium texture soils. Available in different inclinations.



ADAPTERS



AR70

pag.84



CR70

pag.86



CS80

pag.88



CS80 JANUS


pag.88



CW AUTOLOCK 10

pag.90

TECHNICAL SPECIFICATION

L/mm	A/mm	B/mm	G°	 *	CAP. SAE	ATTACHMENT
300	1353	1555	45°	182	367	AF
300	1353	1555	45°	182	367	AR
300	1353	1555	45°	182	367	CR
300	1353	1555	45°	182	367	CS
300	1353	1555	45°	182	367	CS Janus
300	1353	1555	45°	182	367	CW
300	1107	1264	52°	159	297	AF
300	1107	1264	52°	159	297	AR
300	1107	1264	52°	159	297	CR
300	1107	1264	52°	159	297	CS
300	1107	1264	52°	159	297	CS Janus
300	1107	1264	52°	159	297	CW
300	878	993	60°	138	234	AF
300	878	993	60°	138	234	AR
300	878	993	60°	138	234	CR
300	878	993	60°	138	234	CS
300	878	993	60°	138	234	CS Janus
300	878	993	60°	138	234	CW
300	752	844	65°	129	199	AF
300	752	844	65°	129	199	AR
300	752	844	65°	129	199	CR
300	752	844	65°	129	199	CS
300	752	844	65°	129	199	CS Janus
300	752	844	65°	129	199	CW
350	1403	1605	45°	189	387	AF
350	1403	1605	45°	189	387	AR
350	1403	1605	45°	189	387	CR
350	1403	1605	45°	189	387	CS
350	1403	1605	45°	189	387	CS Janus
350	1403	1605	45°	189	387	CW
350	1157	1314	52°	166	318	AF
350	1157	1314	52°	166	318	AR
350	1157	1314	52°	166	318	CR
350	1157	1314	52°	166	318	CS
350	1157	1314	52°	166	318	CS Janus
350	1157	1314	52°	166	318	CW
350	928	1043	60°	146	254	AF
350	928	1043	60°	146	254	AR
350	928	1043	60°	146	254	CR
350	928	1043	60°	146	254	CS
350	928	1043	60°	146	254	CS Janus
350	928	1043	60°	146	254	CW
350	802	892	65°	136	219	AF
350	802	892	65°	136	219	AR
350	802	892	65°	136	219	CR
350	802	892	65°	136	219	CS
350	802	892	65°	136	219	CS Janus
350	802	892	65°	136	219	CW
400	1453	1655	45°	196	408	AF
400	1453	1655	45°	196	408	AR
400	1453	1655	45°	196	408	CR
400	1453	1655	45°	196	408	CS
400	1453	1655	45°	196	408	CS Janus
400	1453	1655	45°	196	408	CW
400	1207	1364	52°	173	339	AF
400	1207	1364	52°	173	339	AR
400	1207	1364	52°	173	339	CR
400	1207	1364	52°	173	339	CS
400	1207	1364	52°	173	339	CS Janus
400	1207	1364	52°	173	339	CW
400	978	1093	60°	153	274	AF
400	978	1093	60°	153	274	AR
400	978	1093	60°	153	274	CR
400	978	1093	60°	153	274	CS
400	978	1093	60°	153	274	CS Janus
400	978	1093	60°	153	274	CW
400	852	942	65°	143	240	AF
400	852	942	65°	143	240	AR
400	852	942	65°	143	240	CR
400	852	942	65°	143	240	CS
400	852	942	65°	143	240	CS Janus
400	852	942	65°	143	240	CW

* the weight of the bucket is calculated without attachment and teeth

OPTIONAL



WELDED-ON TEETH

L/mm	N° TEETH
300	3
350	3
400	3

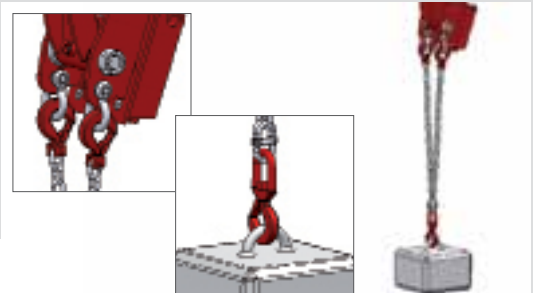
OPTIONAL



TWIST 180

pag.94

OPTIONAL

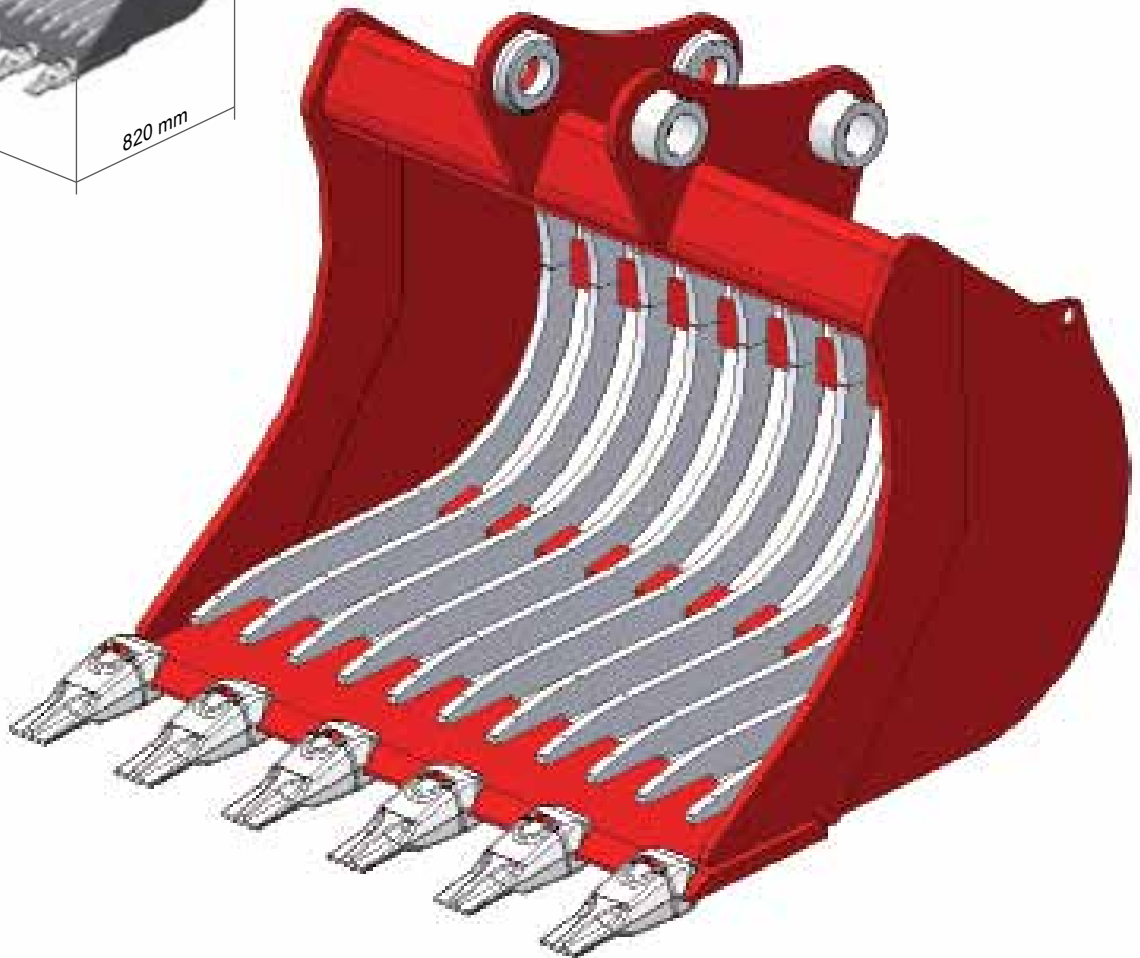
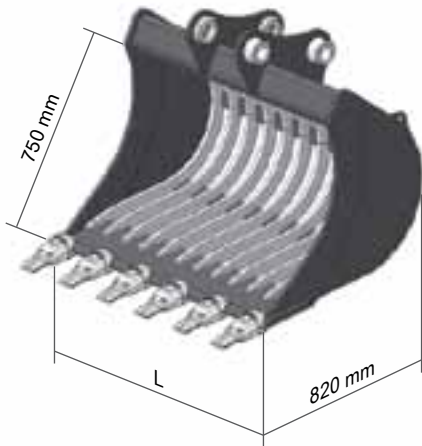


MOVEMENT HOOK

(forare)

SKELETON BUCKET

Used for the selection and separation of inert materials and for their recovery. Available in different sizes depending on the employment. On request it is possible to change the standard distance between the screening grids. This bucket is equipped with welded capsule teeth.



ADAPTERS



AR70

pag.84



CR70

pag.86



CS80

pag.88



CS80 JANUS

pag.88

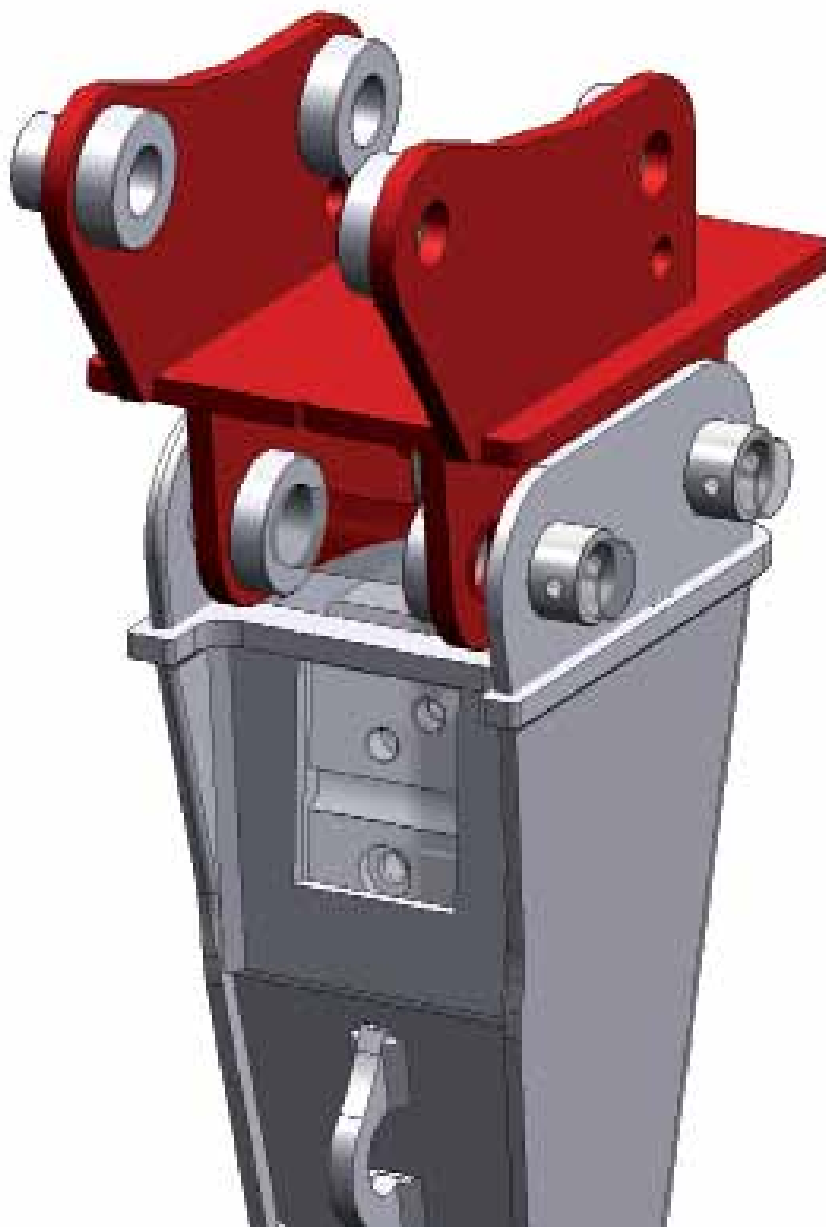


CW AUTOLOCK 10

pag.90

HAMMER ADAPTER PLATE WITH CONNECTOR

Hammer adapter plates can be realized for any brand and any model of breakers. They allow the coupling to the machine with direct coupling or quick couplings. The adapter includes the connector for hammer coupling.



ON PINS

ADAPTERS



AR70

pag.84



CR70

pag.86



CS80

pag.88



CS80 JANUS

pag.88

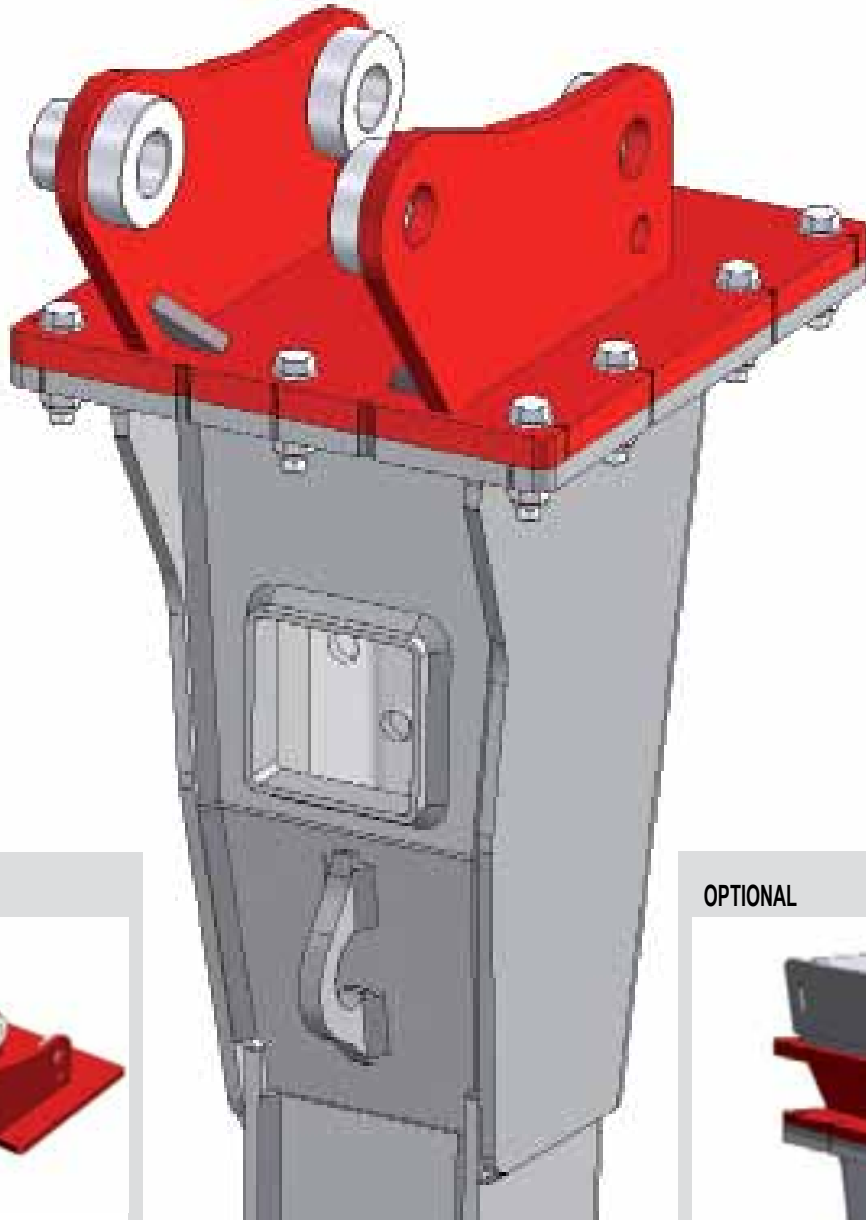


CW AUTOLOCK 10

pag.90

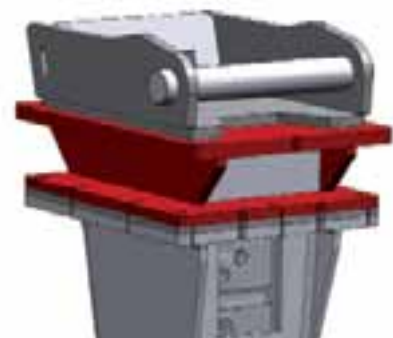
BOLTED HAMMER ADAPTER PLATE

Hammer adapter plates can be realized for any brand and any model of breakers. They allow the coupling to the machine with direct coupling or quick couplings. The adapter includes the perforated plate for hammer coupling.



**ON PINS
ADAPTERS**

OPTIONAL



STUCTURE



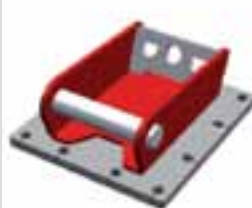
AR70

pag.84



CR70

pag.86



CS80

pag.88



CS80 JANUS

pag.88

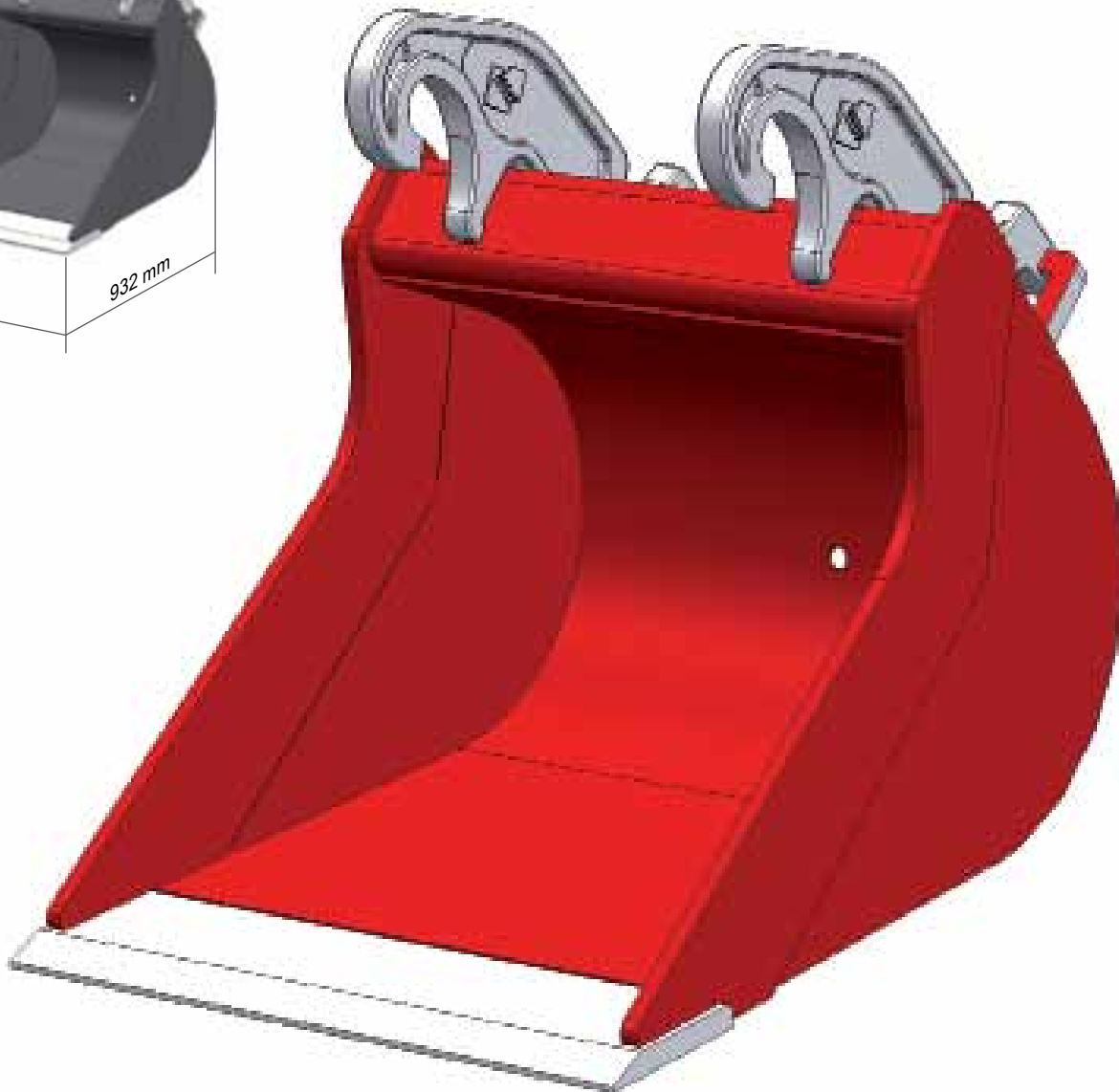
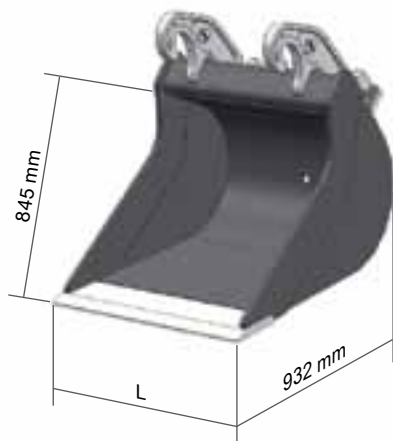


CW AUTOLOCK 10

pag.90

HOLLAND DIGGING BUCKET

Intended, like the name suggests, especially in the Dutch market and all markets with similar morphologies, such as Belgium and the Scandinavian countries. Its elongated shape allows the soil not to join the lateral sides, making it easier the unloading of wet clay materials, which are certainly very present in these areas. Available in different sizes depending on the employment. As the blade is in HB400 material, it is possible to apply only welded capsule teeth.



ADAPTERS



AR70

pag.84



CR70

pag.86



CS80

pag.88




CS80 JANUS

pag.88



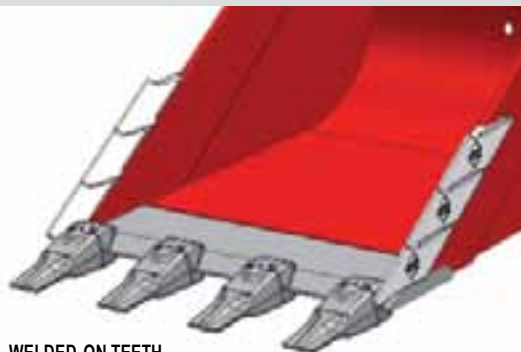
ON PINS

TECHNICAL SPECIFICATION

L/mm	 *	CAP. SAE	ATTACHMENT
400	98	121	CW
400	98	121	AR
400	98	121	CR
400	98	121	CS
400	98	121	CS Janus
400	98	121	AF
500	112	160	CW
500	112	160	AR
500	112	160	CR
500	112	160	CS
500	112	160	CS Janus
500	112	160	AF
600	127	205	CW
600	127	205	AR
600	127	205	CR
600	127	205	CS
600	127	205	CS Janus
600	127	205	AF
700	142	252	CW
700	142	252	AR
700	142	252	CR
700	142	252	CS
700	142	252	CS Janus
700	142	252	AF
800	157	301	CW
800	157	301	AR
800	157	301	CR
800	157	301	CS
800	157	301	CS Janus
800	157	301	AF
900	172	352	CW
900	172	352	AR
900	172	352	CR
900	172	352	CS
900	172	352	CS Janus
900	172	352	AF

* the weight of the bucket is calculated without attachment and teeth

OPTIONAL



WELDED-ON TEETH

L/mm	N° TEETH
400	3
500	3
600	4
700	4
800	5
900	5

OPTIONAL



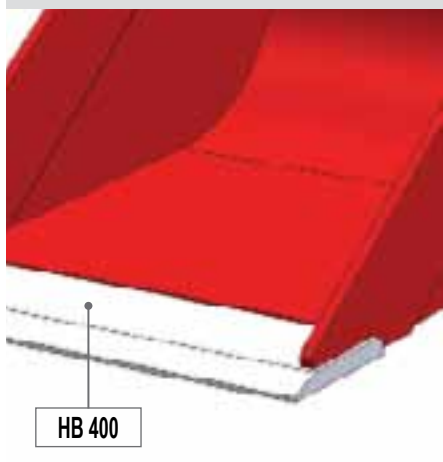
SIDE CUTTER KIT

OPTIONAL



CW 10 - REVERSIBLE

BLADE DETAIL



FUSION ATTACHMENT DETAIL



SIDE DETAIL



OPTIONAL



MOVEMENT HOOK

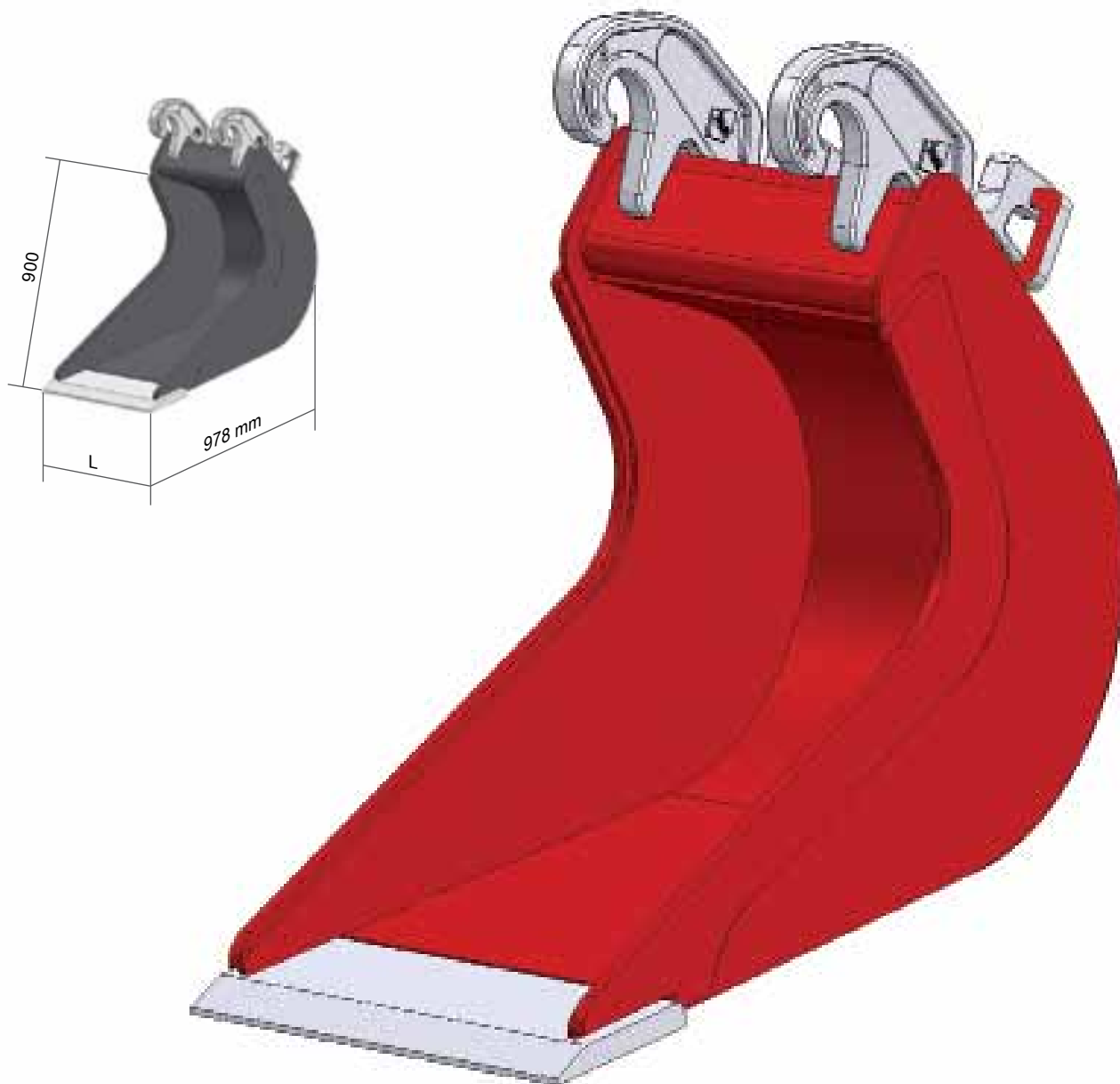
OPTIONAL



TWIST 180

HOLLAND STONE BUCKET (BANANA)

Intended, like the name suggests, especially in the Dutch market and all markets with similar morphologies, such as Belgium and the Scandinavian countries. It's elongated shape called "banana" allow the soil not to join to the sides of the bucket, moreover, these particularly dimensions allow to excavate for the placement of pipes or cables in the cities. Available in different sizes depending on the employment. The blade of the bucket is in HB400, for that, it can be only applied welded capsule teeth.



ADAPTERS



AR70

pag.84



CR70

pag.86



CS80

pag.88




CS80 JANUS

pag.88



ON PINS

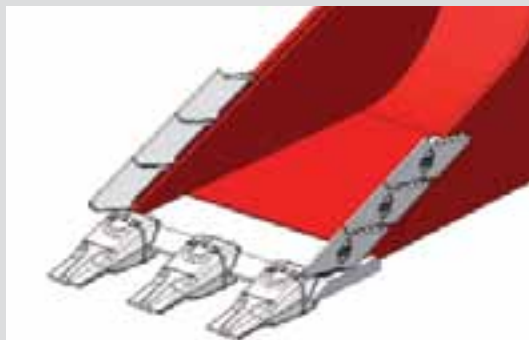
TECHNICAL SPECIFICATION

L/mm	 Kg *	CAP. SAE	N° TEETH	ATTACHMENT
300**	90	78	2	CW
300	90	78	2	AR
300	90	78	2	CR
300	90	78	2	CS
300	90	78	2	CS Janus
300	90	78	2	AF
350	96	100	2	CW
350	96	100	2	AR
350	96	100	2	CR
350	96	100	2	CS
350	96	100	2	CS Janus
350	96	100	2	AF
400	100	123	2	CW
400	100	123	2	AR
400	100	123	2	CR
400	100	123	2	CS
400	100	123	2	CS Janus
400	100	123	2	AF
450	106	146	3	CW
450	106	146	3	AR
450	106	146	3	CR
450	106	146	3	CS
450	106	146	3	CS Janus
450	106	146	3	AF
500	115	171	3	CW
500	115	171	3	AR
500	115	171	3	CR
500	115	171	3	CS
500	115	171	3	CS Janus
500	115	171	3	AF

* the weight of the bucket is calculated without attachment and teeth

** warning all the attachment is larger than buckets

OPTIONAL



WEDEL-ON TEETH

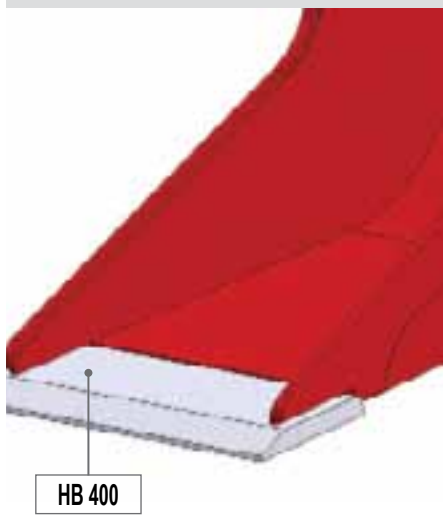
L/mm	N° TEETH
300	3
350	3
400	3
450	3
500	3

OPTIONAL



SIDE CUTTER KIT

BLADE DETAIL



FUSION ATTACHMENT DETAIL



OPTIONAL



CW 10 - REVERSIBLE

SIDE DETAIL



OPTIONAL



MOVEMENT HOOK

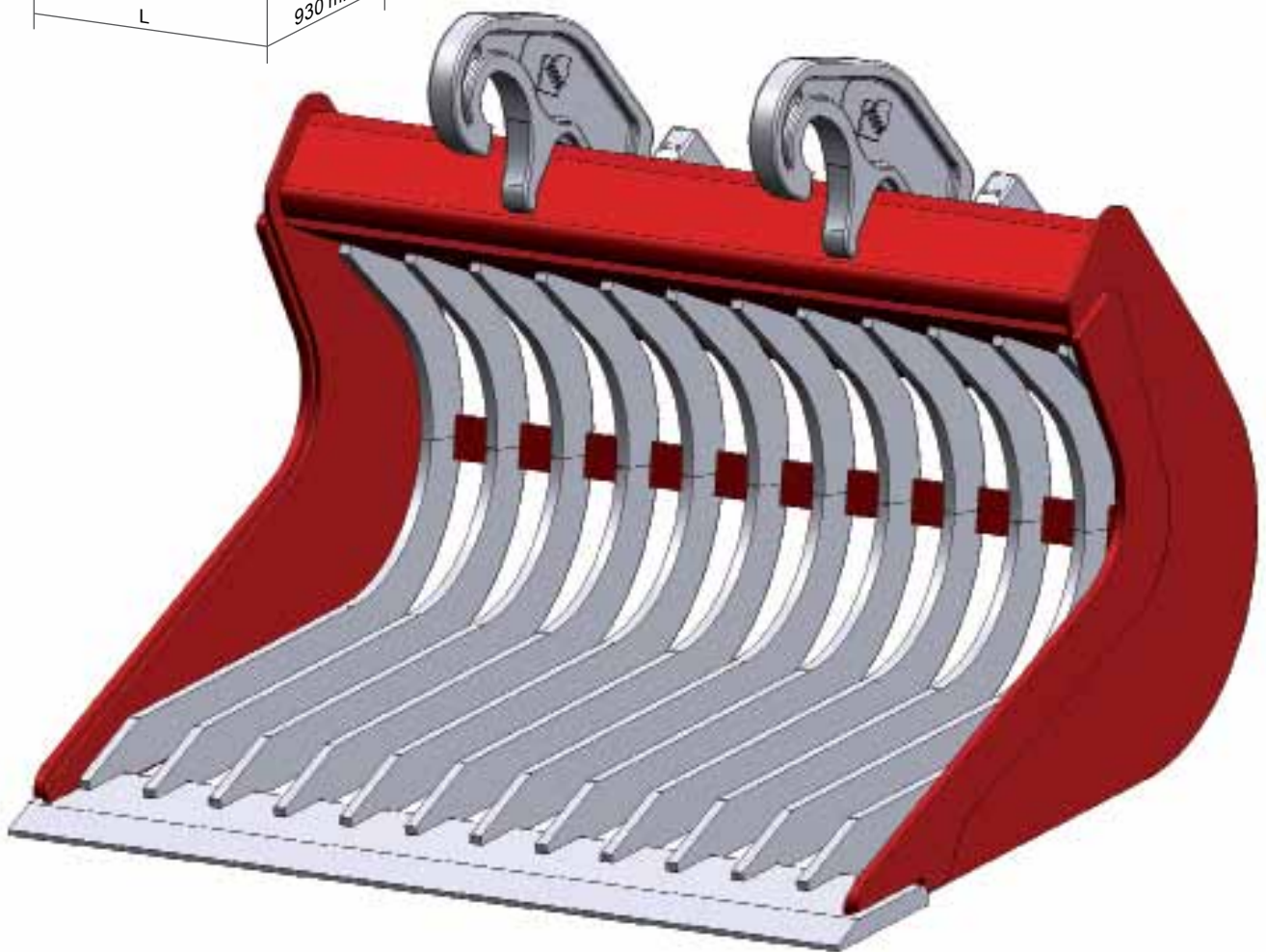
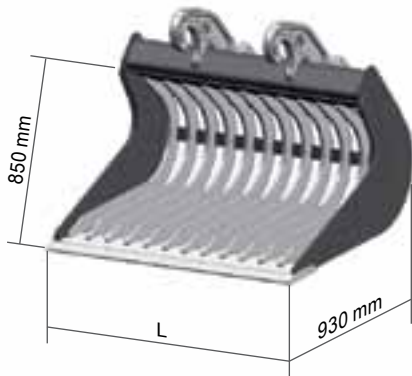
OPTIONAL



TWIST 180

HOLLAND SKELETON BUCKET

Intended, like its name suggests, especially for the Dutch market and all markets with similar morphologies, such as Belgium and the Scandinavian countries. The bucket has been designed with a bottom longer than the standard bucket. Used for the selection and separation of inert materials and for their recovery. Available in different sizes depending on the employment.



ADAPTERS



AR70

pag.84



CR70

pag.86



CS80

pag.88



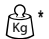
CS80 JANUS

pag.88



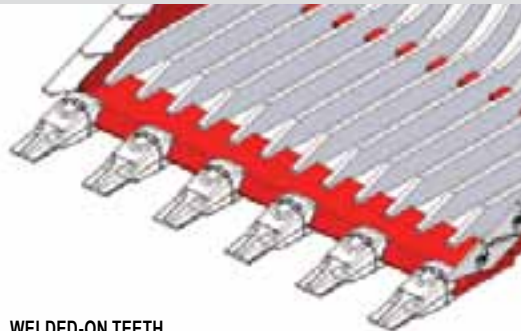
ON PINS

TECHNICAL SPECIFICATION

L/mm	 *	CAP. SAE	N° TEETH	ATTACHMENT
800	159	331	5	CW
800	159	331	5	AR
800	159	331	5	CR
800	159	331	5	CS
800	159	331	5	CS Janus
800	159	331	5	AF
900	172	384	5	CW
900	172	384	5	AR
900	172	384	5	CR
900	172	384	5	CS
900	172	384	5	CS Janus
900	172	384	5	AF
1000	186	437	5	CW
1000	186	437	5	AR
1000	186	437	5	CR
1000	186	437	5	CS
1000	186	437	5	CS Janus
1000	186	437	5	AF
1100	204	490	6	CW
1100	204	490	6	AR
1100	204	490	6	CR
1100	204	490	6	CS
1100	204	490	6	CS Janus
1100	204	490	6	AF
1200	217	542	6	CW
1200	217	542	6	AR
1200	217	542	6	CR
1200	217	542	6	CS
1200	217	542	6	CS Janus
1200	217	542	6	AF
1300	231	595	6	CW
1300	231	595	6	AR
1300	231	595	6	CR
1300	231	595	6	CS
1300	231	595	6	CS Janus
1300	231	595	6	AF

* the weight of the bucket is calculated without attachment and teeth

OPTIONAL



WELDED-ON TEETH

L/mm	N° TEETH
800	5
900	5
1000	5
1100	5
1200	6
1300	6

OPTIONAL



SIDE CUTTER KIT

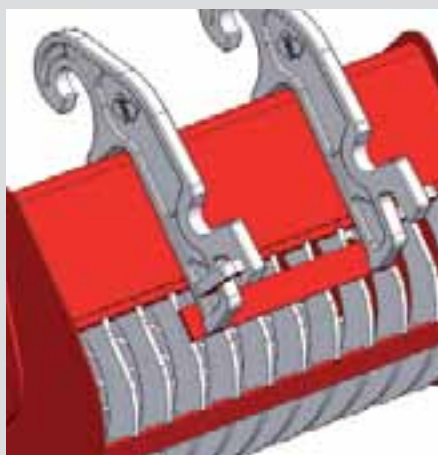
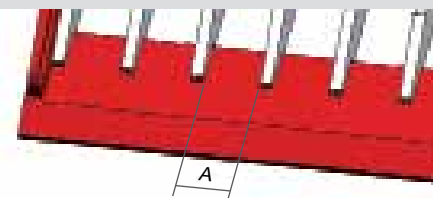
OPTIONAL



CW 10 - REVERSIBLE

OPTIONAL

FUSION ATTACHMENT DETAIL



STANDARD SKELETON

L/mm	A/mm	L/mm	A/mm
800	55	1100	57
900	53	1200	55
1000	55	1300	57

SIDE DETAIL



OPTIONAL



MOVEMENT HOOK

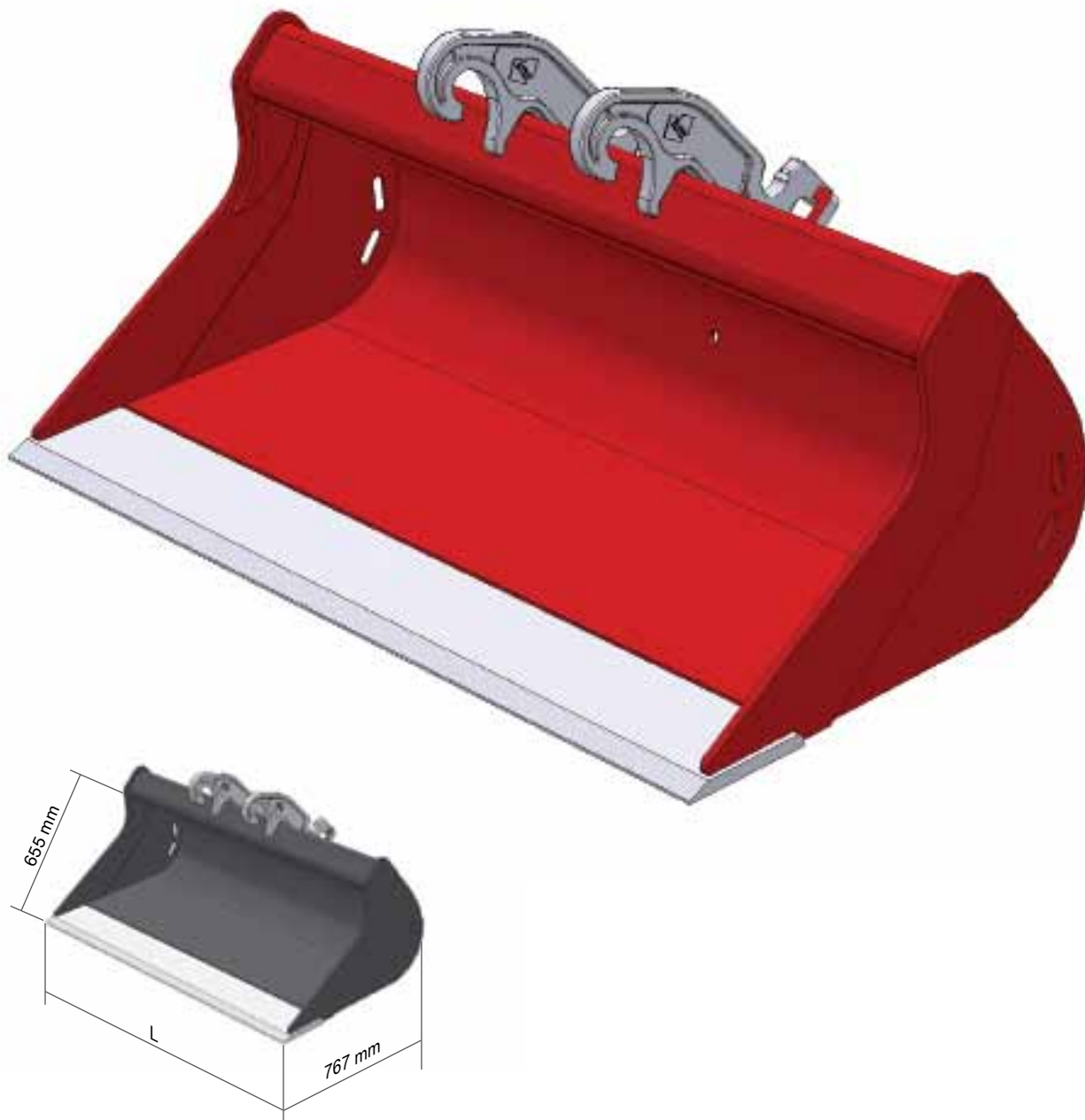
OPTIONAL



TWIST 180

HOLLAND DITCH CLEANING BUCKET

Intended, like the name suggests, especially for the Dutch market and all markets with similar morphologies, such as Belgium and the Scandinavian countries. The bucket has been designed with a bottom longer than the traditional ditch cleaning buckets. It is used for cleaning and leveling of roads, ditches and slopes. Available in different sizes depending on the employment.



ADAPTERS



AR70

pag.84



CR70

pag.86



CS80

pag.88




CS80 JANUS

pag.88



ON PINS

TECHNICAL SPECIFICATION

L/mm	 *	CAP. SAE	ATTACHMENT
1400	231	459	CW
1400	231	459	AR
1400	231	459	CR
1400	231	459	CS
1400	231	459	CS Janus
1400	231	459	AF
1500	246	498	CW
1500	246	498	AR
1500	246	498	CR
1500	246	498	CS
1500	246	498	CS Janus
1500	246	498	AF
1600	261	537	CW
1600	261	537	AR
1600	261	537	CR
1600	261	537	CS
1600	261	537	CS Janus
1600	261	537	AF
1700	276	575	CW
1700	276	575	AR
1700	276	575	CR
1700	276	575	CS
1700	276	575	CS Janus
1700	276	575	AF
1800	291	614	CW
1800	291	614	AR
1800	291	614	CR
1800	291	614	CS
1800	291	614	CS Janus
1800	291	614	AF

* the weight of the bucket is calculated without attachment and teeth

OPTIONAL



SIDE CUTTER KIT

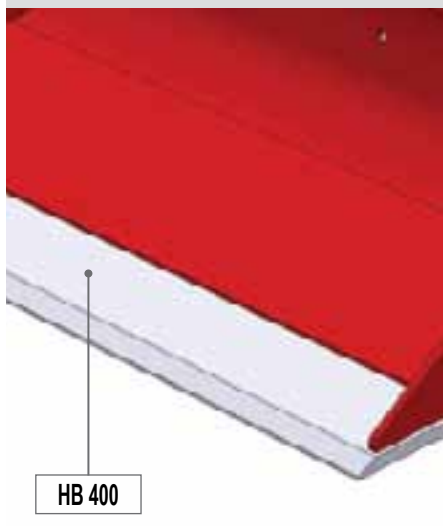
L/mm
1400
1500
1600
1700
1800

OPTIONAL



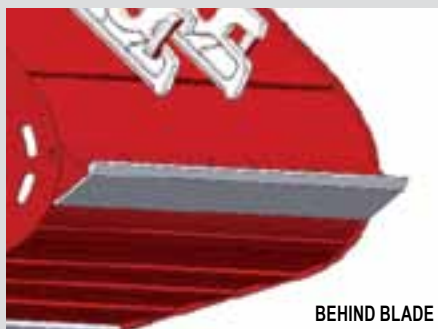
REINFORCEMENT

BLADE DETAIL



HB 400

OPTIONAL



BEHIND BLADE

L/mm
1400
1500
1600
1700
1800

OPTIONAL



CW 10 - REVERSIBLE

SIDE DETAIL



OPTIONAL



MOVEMENT HOOK

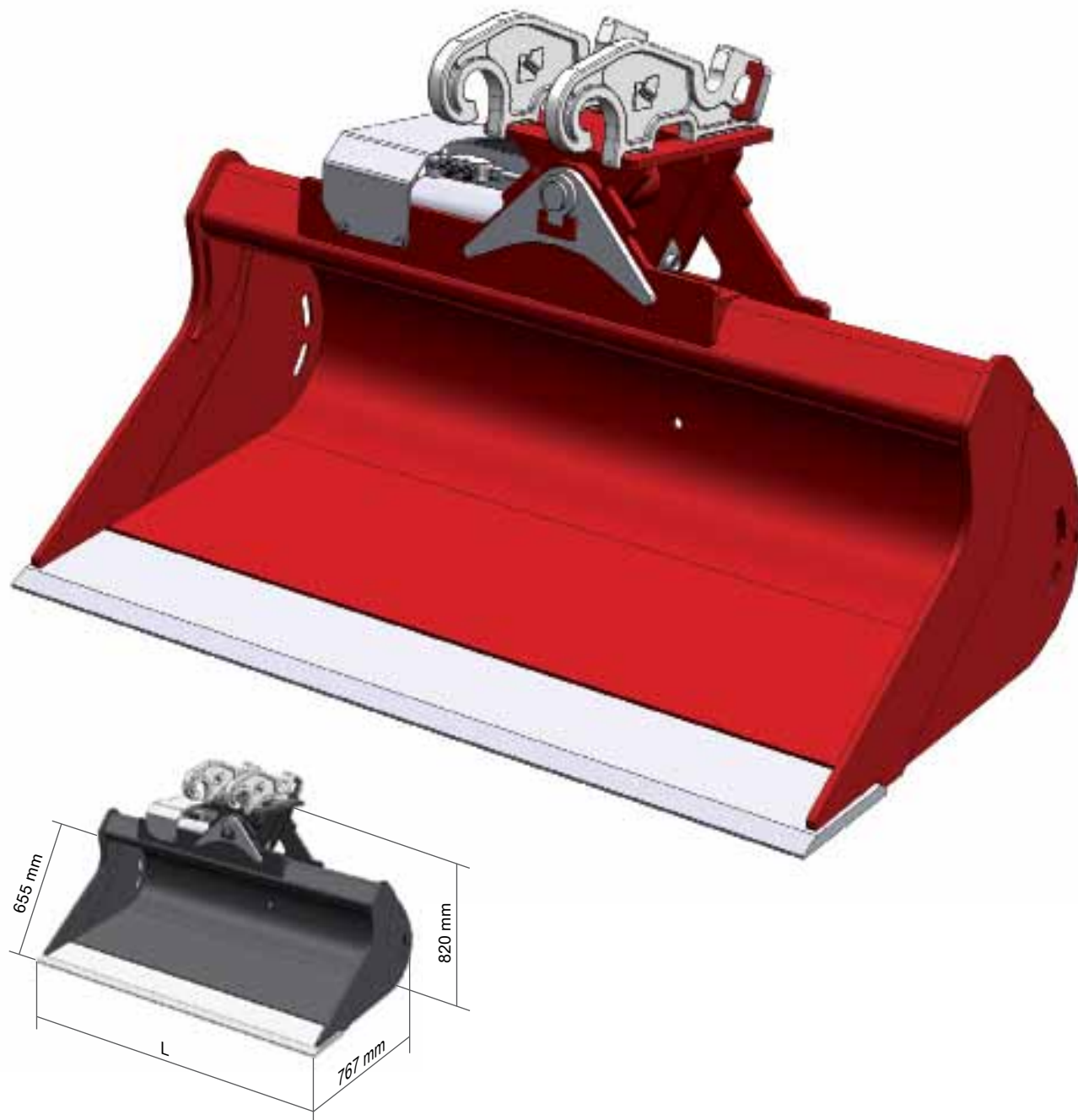
OPTIONAL



TWIST 180

HOLLAND PIVOTING DITCH CLEANING BUCKET

Intended, like its name suggests, especially for the Dutch market and all markets with similar morphologies, such as Belgium and the Scandinavian countries. The bucket has been designed with a bottom longer than the traditional ditch cleaning tilting buckets. Used for cleaning and leveling of roads, ditches and slopes. Hydraulic Tilting in both directions of 45°. Available in different sizes depending on the employment.



ADAPTERS



AR70

pag.84



CR70

pag.86



CS80

pag.88



CS80 JANUS

pag.88



ON PINS

