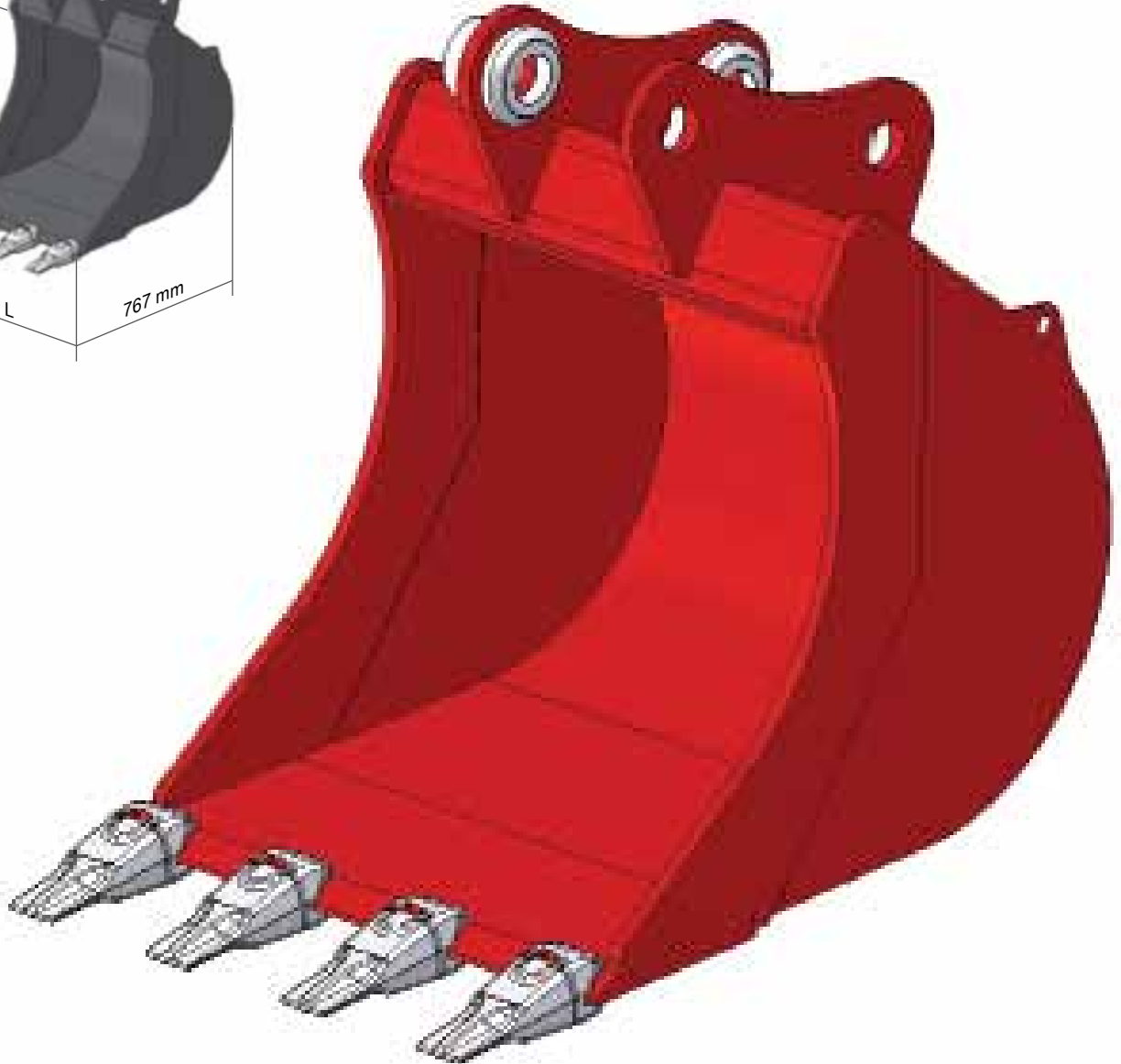
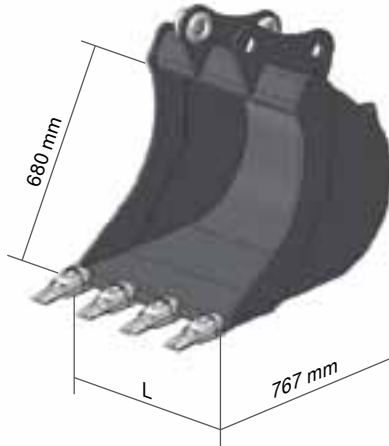


## INDEX

STANDARD DIGGING BUCKET _____	SC67 _____	PAG. 284
STANDARD DITCH CLEANING BUCKET _____	SP50 _____	PAG. 286
STANDARD PIVOTING DITCH CLEANING BUCKET _____	SQ50 _____	PAG. 288
REINFORCED DIGGING BUCKET _____	SCR67 _____	PAG. 290
REINFORCED STONE BUCKET _____	SB67 _____	PAG. 292
REINFORCED DITCH CLEANING BUCKET _____	SPR50 _____	PAG. 294
REINFORCED PIVOTING DITCH CLEANING BUCKET _____	SQR50 _____	PAG. 296
TRAPEZOIDAL BUCKET _____	T67 _____	PAG. 298
SKELETON BUCKET _____	VE67 _____	PAG. 300
HAMMER ADAPTER PLATE WITH CONNECTOR _____	SM67 _____	PAG. 302
BOLTED HAMMER ADAPTER PLATE _____	SM67 _____	PAG. 303
HOLLAND DIGGING BUCKET _____	SCN75 _____	PAG. 304
HOLLAND STONE BUCKET (BANANA) _____	BN75 _____	PAG. 306
HOLLAND SKELETON BUCKET _____	VN75 _____	PAG. 308
HOLLAND DITCH CLEANING BUCKET _____	SPN55 _____	PAG. 310
HOLLAND PIVOTING DITCH CLEANING BUCKET _____	SQN55 _____	PAG. 312

# STANDARD DIGGING BUCKET

Standard digging bucket suitable for medium hard soils. Available in different sizes depending on the employment. All buckets can be equipped with bolted teeth, welded capsule teeth.



## ADAPTERS



**AR70**

pag.84



**CR70**

pag.86



**CS80**

pag.88



**CS80 JANUS**

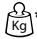
pag.88



**CW AUTOLOCK 10**

pag.90

**TECHNICAL SPECIFICATION**

L/mm	 *	CAP. SAE	N° TEETH	ATTACHMENT
300	76	68	3	AF
300	76	68	3	AR
300	76	68	3	CR
300	76	68	3	CS
300	76	68	3	CS Janus
300	76	68	3	CW
350	83	84	3	AF
350	83	84	3	AR
350	83	84	3	CR
350	83	84	3	CS
350	83	84	3	CS Janus
350	83	84	3	CW
400	91	101	3	AF
400	91	101	3	AR
400	91	101	3	CR
400	91	101	3	CS
400	91	101	3	CS Janus
400	91	101	3	CW
450	98	118	3	AF
450	98	118	3	AR
450	98	118	3	CR
450	98	118	3	CS
450	98	118	3	CS Janus
450	98	118	3	CW
500	104	137	4	AF
500	104	137	4	AR
500	104	137	4	CR
500	104	137	4	CS
500	104	137	4	CS Janus
500	104	137	4	CW
600	117	174	4	AF
600	117	174	4	AR
600	117	174	4	CR
600	117	174	4	CS
600	117	174	4	CS Janus
600	117	174	4	CW
700	136	214	5	AF
700	136	214	5	AR
700	136	214	5	CR
700	136	214	5	CS
700	136	214	5	CS Janus
700	136	214	5	CW
800	149	254	5	AF
800	149	254	5	AR
800	149	254	5	CR
800	149	254	5	CS
800	149	254	5	CS Janus
800	149	254	5	CW
900	163	295	6	AF
900	163	295	6	AR
900	163	295	6	CR
900	163	295	6	CS
900	163	295	6	CS Janus
900	163	295	6	CW
1000	182	338	6	AF
1000	182	338	6	AR
1000	182	338	6	CR
1000	182	338	6	CS
1000	182	338	6	CS Janus
1000	182	338	6	CW

\* the weight of the bucket is calculated without attachment and teeth

**OPTIONAL**



**SAVE BLADE WELDED KIT + SIDE CUTTER KIT**

L/mm			L/mm		
300			600		
350			700		
400			800		
450			900		
500			1000		

**OPTIONAL**



**ADDITIONAL CUTTING EDGES**

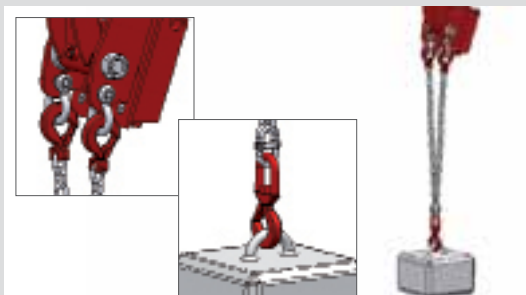
L/mm		L/mm	
300		600	
350		700	
400		800	
450		900	
500		1000	

**OPTIONAL**



TWIST 140

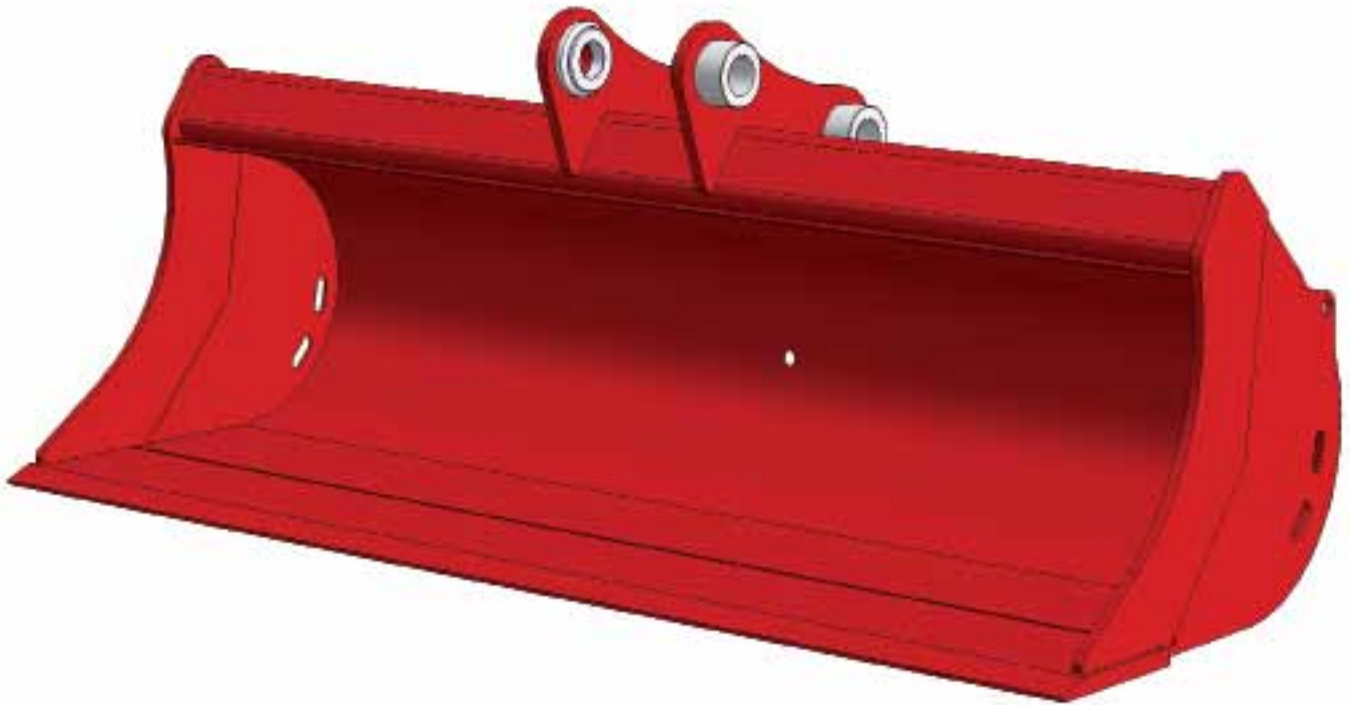
**OPTIONAL**



MOVEMENT HOOK

# STANDARD DITCH CLEANING BUCKET

Bucket for cleaning and leveling of roads, ditches and slopes. Available in different sizes depending on the employment.  
On request can be applied several optional.



## ADAPTERS



AR70

pag.84



CR70

pag.86



CS80

pag.88



CS80 JANUS

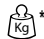
pag.88



CW AUTOLOCK 10

pag.90

**TECHNICAL SPECIFICATION**

L/mm	 *	CAP. SAE	ATTACHMENT
1200	137	250	AF
1200	137	250	AR
1200	137	250	CR
1200	137	250	CS
1200	137	250	CS Janus
1200	137	250	CW
1400	158	298	AF
1400	158	298	AR
1400	158	298	CR
1400	158	298	CS
1400	158	298	CS Janus
1400	158	298	CW
1600	180	345	AF
1600	180	345	AR
1600	180	345	CR
1600	180	345	CS
1600	180	345	CS Janus
1600	180	345	CW
1800	201	392	AF
1800	201	392	AR
1800	201	392	CR
1800	201	392	CS
1800	201	392	CS Janus
1800	201	392	CW

\* the weight of the bucket is calculated without attachment and teeth

**OPTIONAL**



**ADDITIONAL CUTTING EDGES**

L/mm
1200
1400
1600
1800

**OPTIONAL**



**BEHIND BLADE**

L/mm
1200
1400
1600
1800

**OPTIONAL BEHIND BLADE**



**OPTIONAL**



**REINFORCEMENT**

**OPTIONAL**



**LATERAL CUTTERS + REINFORCE**

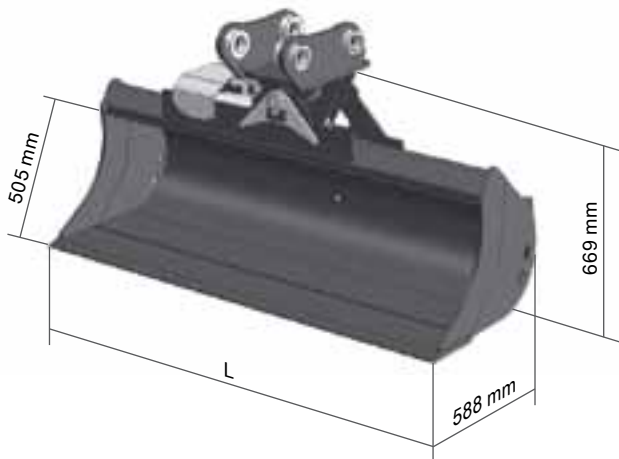
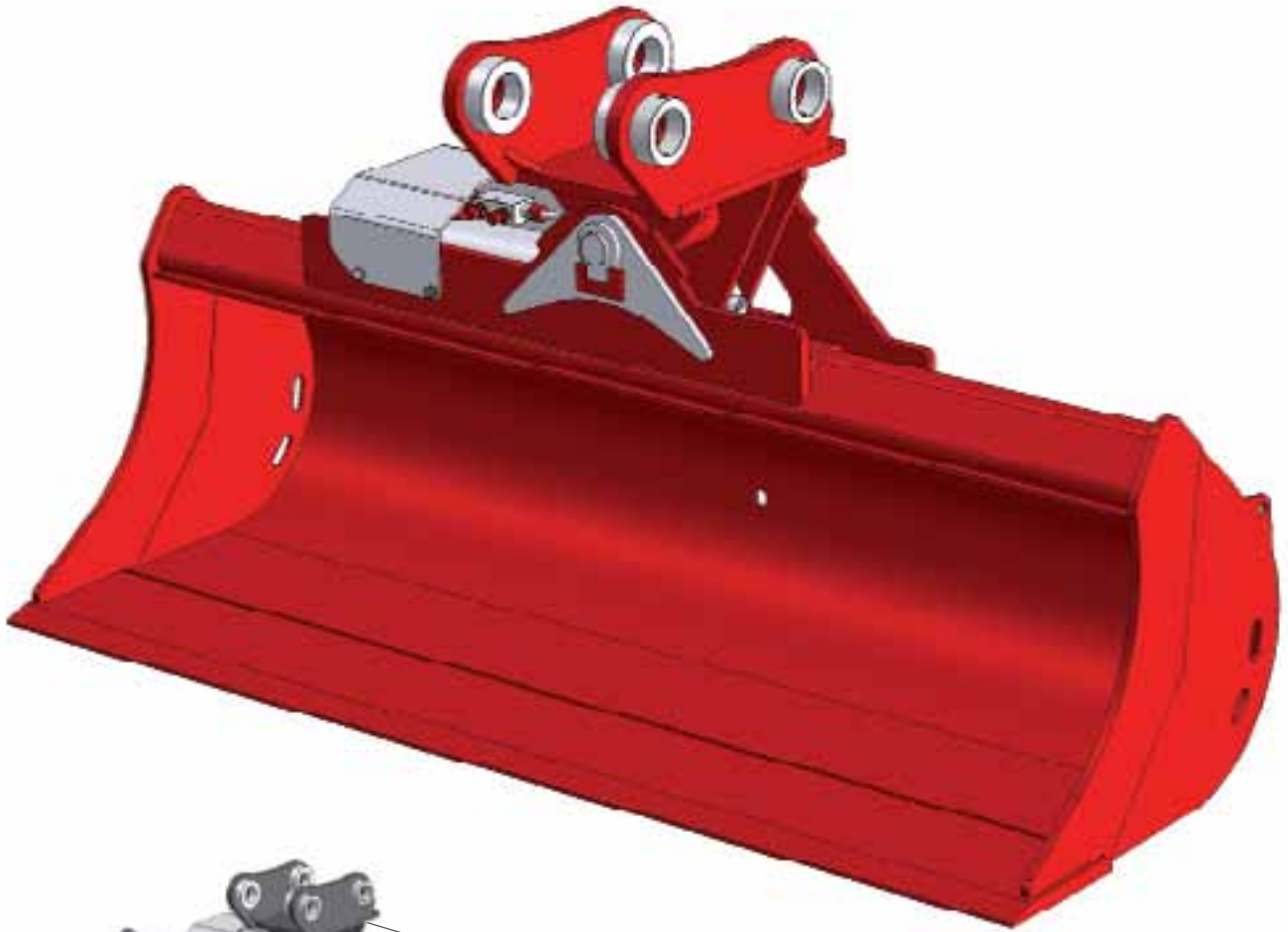
**OPTIONAL**



**TWIST 140**

## STANDARD PIVOTING DITCH CLEANING BUCKET

Bucket used for cleaning and leveling of roads, ditches and slopes. Hydraulic Tilting of 45° in both sides. Available in different sizes depending on the employment. On request can be applied several optional.



### ADAPTERS



AR70

pag.84



CR70

pag.86



CS80

pag.88



CS80 JANUS

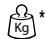
pag.88



CW AUTOLOCK 10

pag.90

**TECHNICAL SPECIFICATION**

L/mm	 *	CAP. SAE	ATTACHMENT
1200	196	250	AF
1200	196	250	AR
1200	196	250	CR
1200	196	250	CS
1200	196	250	CS Janus
1200	196	250	CW
1400	217	298	AF
1400	217	298	AR
1400	217	298	CR
1400	217	298	CS
1400	217	298	CS Janus
1400	217	298	CW
1600	239	345	AF
1600	239	345	AR
1600	239	345	CR
1600	239	345	CS
1600	239	345	CS Janus
1600	239	345	CW
1800	260	392	AF
1800	260	392	AR
1800	260	392	CR
1800	260	392	CS
1800	260	392	CS Janus
1800	260	392	CW

\* the weight of the bucket is calculated without attachment and teeth

**OPTIONAL**



**ADDITIONAL CUTTING EDGES**

L/mm	
1200	
1400	
1600	
1800	

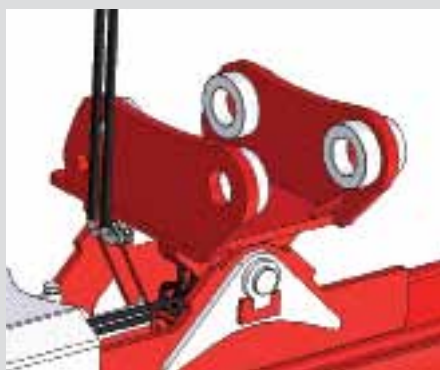
**TILTING DETAIL - 45° + 45°**



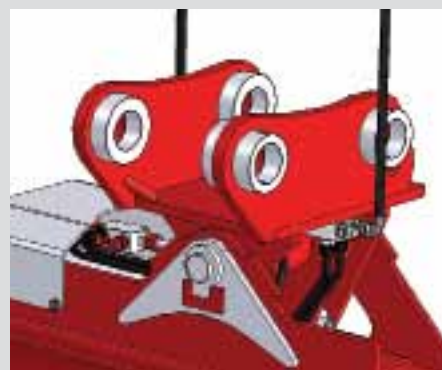
**OPTIONAL**



**KIT HOSES RG**



**KIT HOSES LF**



**KIT HOSES RG + LF**

**OPTIONAL**



**REINFORCEMENT**

**OPTIONAL**



**LATERAL CUTTERS + REINFORCE**

**OPTIONAL**



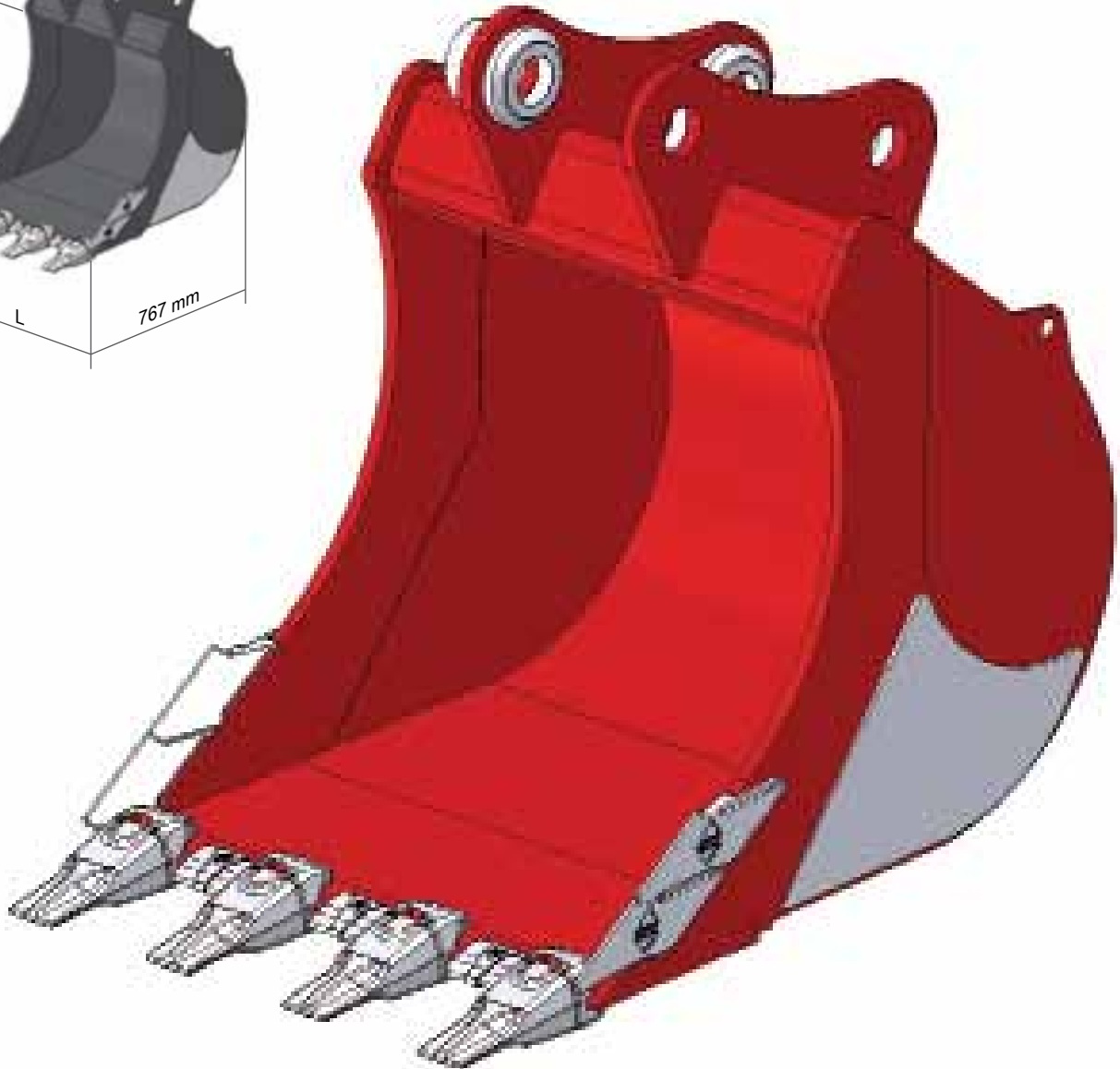
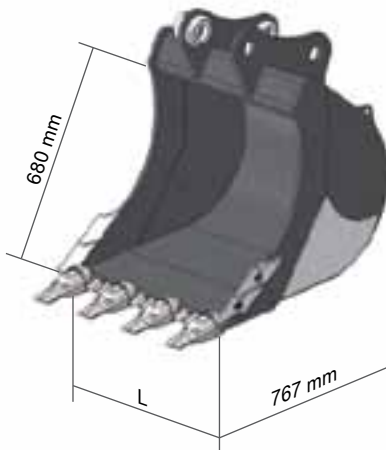
**BEHIND BLADE**

L/mm	
1200	
1400	
1600	
1800	

(forare)

## REINFORCED DIGGING BUCKET

Evolution of the standard digging bucket through the application of HB400 reinforcements at points of increased wear (bottom and sides), side cutters and melting "save blade". This bucket is particularly suitable for use on hard surfaces and rocky soils. It is equipped with welded capsule teeth.



### ADAPTERS



AR70

pag.84



CR70

pag.86



CS80

pag.88



CS80 JANUS

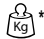
pag.88



CW AUTOLOCK 10

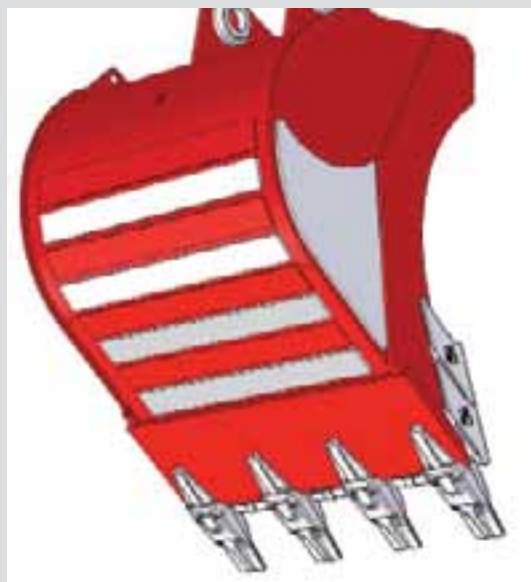
pag.90

**TECHNICAL SPECIFICATION**

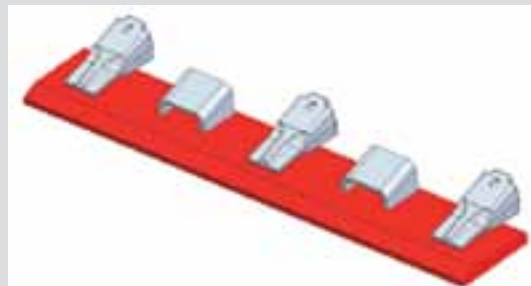
L/mm	 Kg *	CAP. SAE	N° TEETH	ATTACHMENT
300	76	68	2	AF
300	76	68	2	AR
300	76	68	2	CR
300	76	68	2	CS
300	76	68	2	CS Janus
300	76	68	2	CW
350	83	84	3	AF
350	83	84	3	AR
350	83	84	3	CR
350	83	84	3	CS
350	83	84	3	CS Janus
350	83	84	3	CW
400	91	101	3	AF
400	91	101	3	AR
400	91	101	3	CR
400	91	101	3	CS
400	91	101	3	CS Janus
400	91	101	3	CW
450	98	118	3	AF
450	98	118	3	AR
450	98	118	3	CR
450	98	118	3	CS
450	98	118	3	CS Janus
450	98	118	3	CW
500	104	137	4	AF
500	104	137	4	AR
500	104	137	4	CR
500	104	137	4	CS
500	104	137	4	CS Janus
500	104	137	4	CW
600	117	174	4	AF
600	117	174	4	AR
600	117	174	4	CR
600	117	174	4	CS
600	117	174	4	CS Janus
600	117	174	4	CW
700	136	214	5	AF
700	136	214	5	AR
700	136	214	5	CR
700	136	214	5	CS
700	136	214	5	CS Janus
700	136	214	5	CW
800	149	254	5	AF
800	149	254	5	AR
800	149	254	5	CR
800	149	254	5	CS
800	149	254	5	CS Janus
800	149	254	5	CW
900	163	295	6	AF
900	163	295	6	AR
900	163	295	6	CR
900	163	295	6	CS
900	163	295	6	CS Janus
900	163	295	6	CW
1000	182	338	6	AF
1000	182	338	6	AR
1000	182	338	6	CR
1000	182	338	6	CS
1000	182	338	6	CS Janus
1000	182	338	6	CW

\* the weight of the bucket is calculated without attachment and teeth

**REINFORCE DETAILS**



**OPTIONAL**



**ADDITIONAL CUTTING EDGES**

L/mm	L/mm
300	600
350	700
400	800
450	900
500	1000

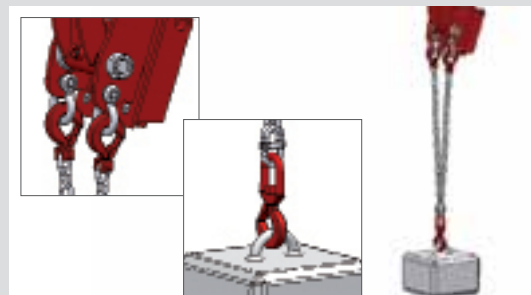
**OPTIONAL**



TWIST 140

pag.94

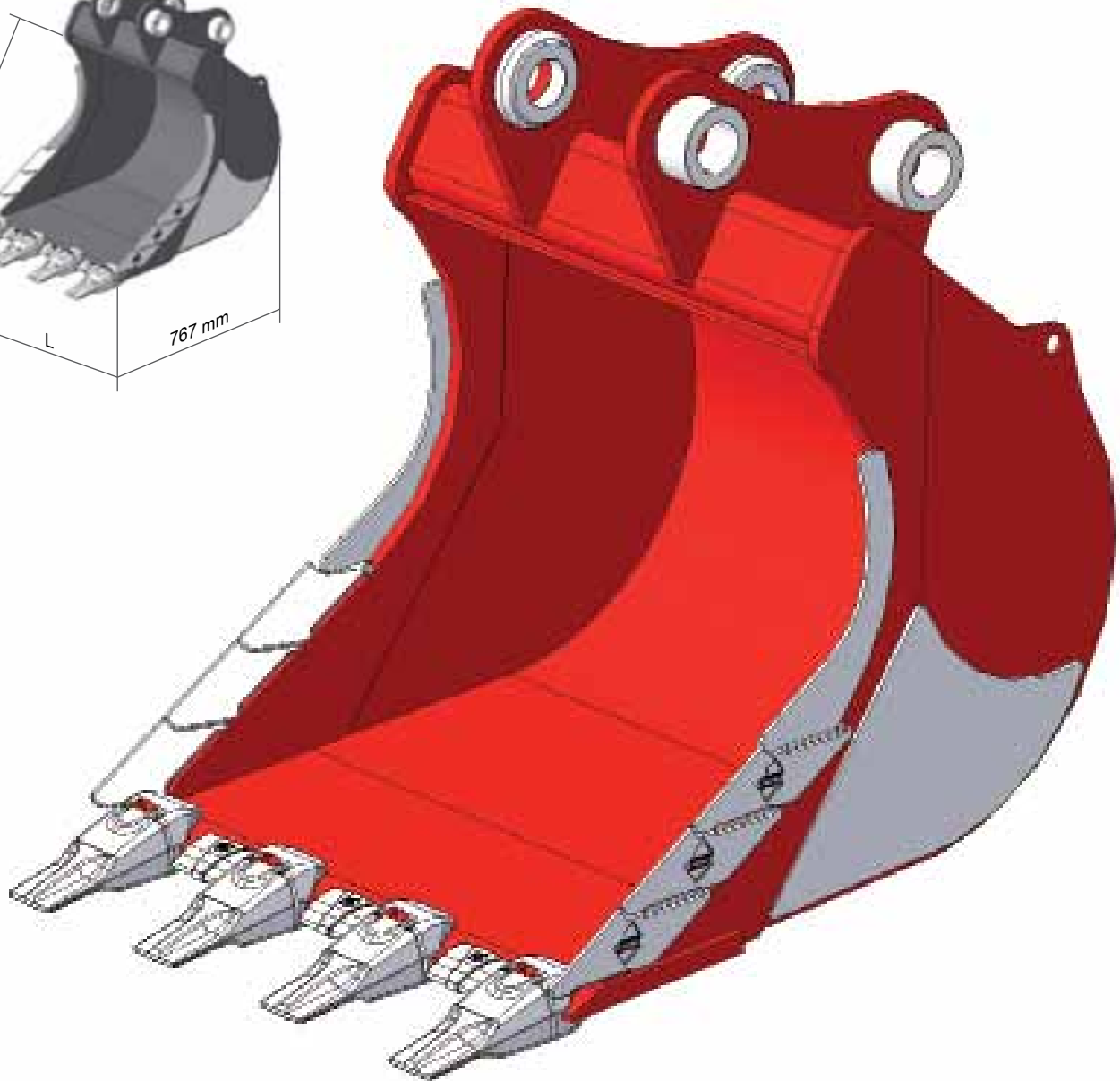
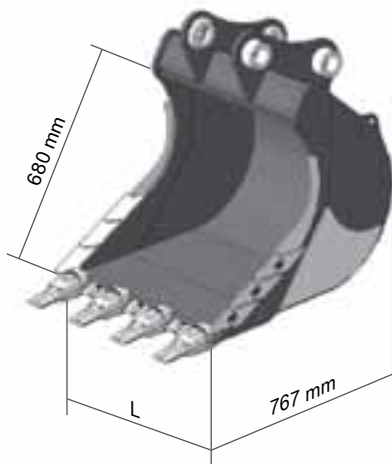
**OPTIONAL**



MOVEMENT HOOK

## REINFORCED STONE BUCKET

Bucket designed with a washy profile to facilitate the displacement of stone blocks. Through the application of HB400 reinforcements at points of increased wear (bottom and sides), side cutters and melting save blade, this bucket is particularly suitable for use on hard surfaces and for the transport of stone blocks. This type of bucket is equipped with welded capsule teeth.



### ADAPTERS



AR70

pag.84



CR70

pag.86



CS80

pag.88



CS80 JANUS

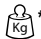
pag.88



CW AUTOLOCK 10

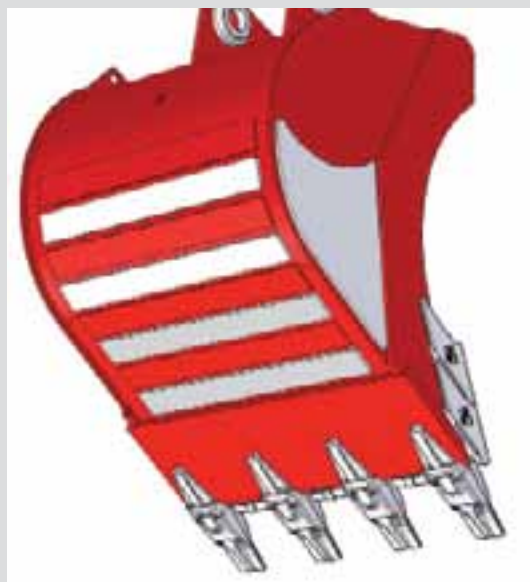
pag.90

**TECHNICAL SPECIFICATION**

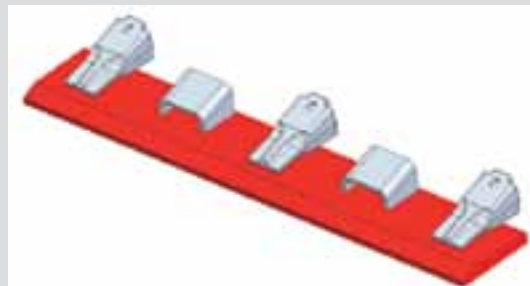
L/mm	 Kg *	CAP. SAE	N° TEETH	ATTACHMENT
300	76	68	3	AF
300	76	68	3	AR
300	76	68	3	CR
300	76	68	3	CS
300	76	68	3	CS Janus
300	76	68	3	CW
350	83	84	3	AF
350	83	84	3	AR
350	83	84	3	CR
350	83	84	3	CS
350	83	84	3	CS Janus
350	83	84	3	CW
400	91	101	3	AF
400	91	101	3	AR
400	91	101	3	CR
400	91	101	3	CS
400	91	101	3	CS Janus
400	91	101	3	CW
450	98	118	3	AF
450	98	118	3	AR
450	98	118	3	CR
450	98	118	3	CS
450	98	118	3	CS Janus
450	98	118	3	CW
500	104	137	4	AF
500	104	137	4	AR
500	104	137	4	CR
500	104	137	4	CS
500	104	137	4	CS Janus
500	104	137	4	CW
600	117	174	4	AF
600	117	174	4	AR
600	117	174	4	CR
600	117	174	4	CS
600	117	174	4	CS Janus
600	117	174	4	CW
700	136	214	5	AF
700	136	214	5	AR
700	136	214	5	CR
700	136	214	5	CS
700	136	214	5	CS Janus
700	136	214	5	CW
800	149	254	5	AF
800	149	254	5	AR
800	149	254	5	CR
800	149	254	5	CS
800	149	254	5	CS Janus
800	149	254	5	CW
900	163	295	6	AF
900	163	295	6	AR
900	163	295	6	CR
900	163	295	6	CS
900	163	295	6	CS Janus
900	163	295	6	CW
1000	182	338	6	AF
1000	182	338	6	AR
1000	182	338	6	CR
1000	182	338	6	CS
1000	182	338	6	CS Janus
1000	182	338	6	CW

\* the weight of the bucket is calculated without attachment and teeth

**REINFORCE DETAILS**



**OPTIONAL**



**ADDITIONAL CUTTING EDGES**

L/mm	L/mm
300	600
350	700
400	800
450	900
500	1000

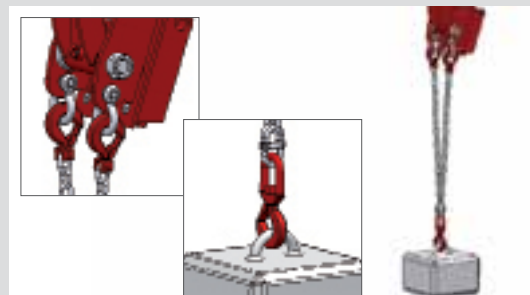
**OPTIONAL**



**TWIST 140**

pag.94

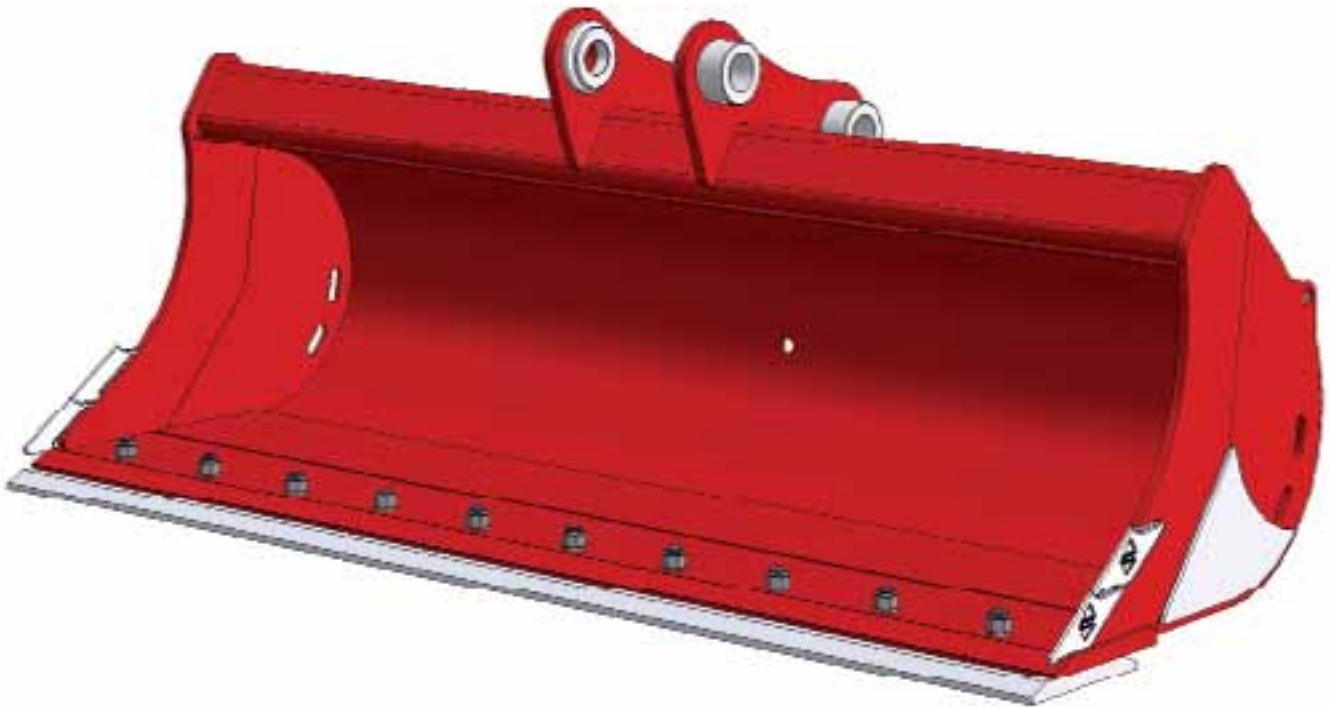
**OPTIONAL**



**MOVEMENT HOOK**

## REINFORCED DITCH CLEANING BUCKET

Evolution of the standard ditch cleaning bucket. The application of HB400 reinforcements at points of increased wear (bottom and sides), the application of side welded cutters and the additional bolted blade make this bucket suitable for hard surfaces.



### ADAPTERS



AR70

pag.84



CR70

pag.86



CS80

pag.88



CS80 JANUS

pag.88



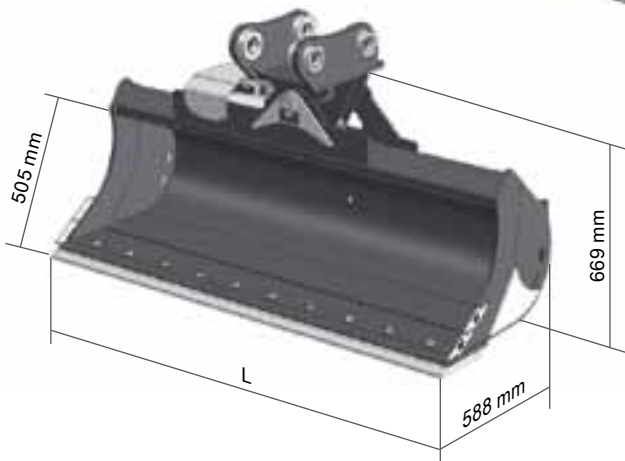
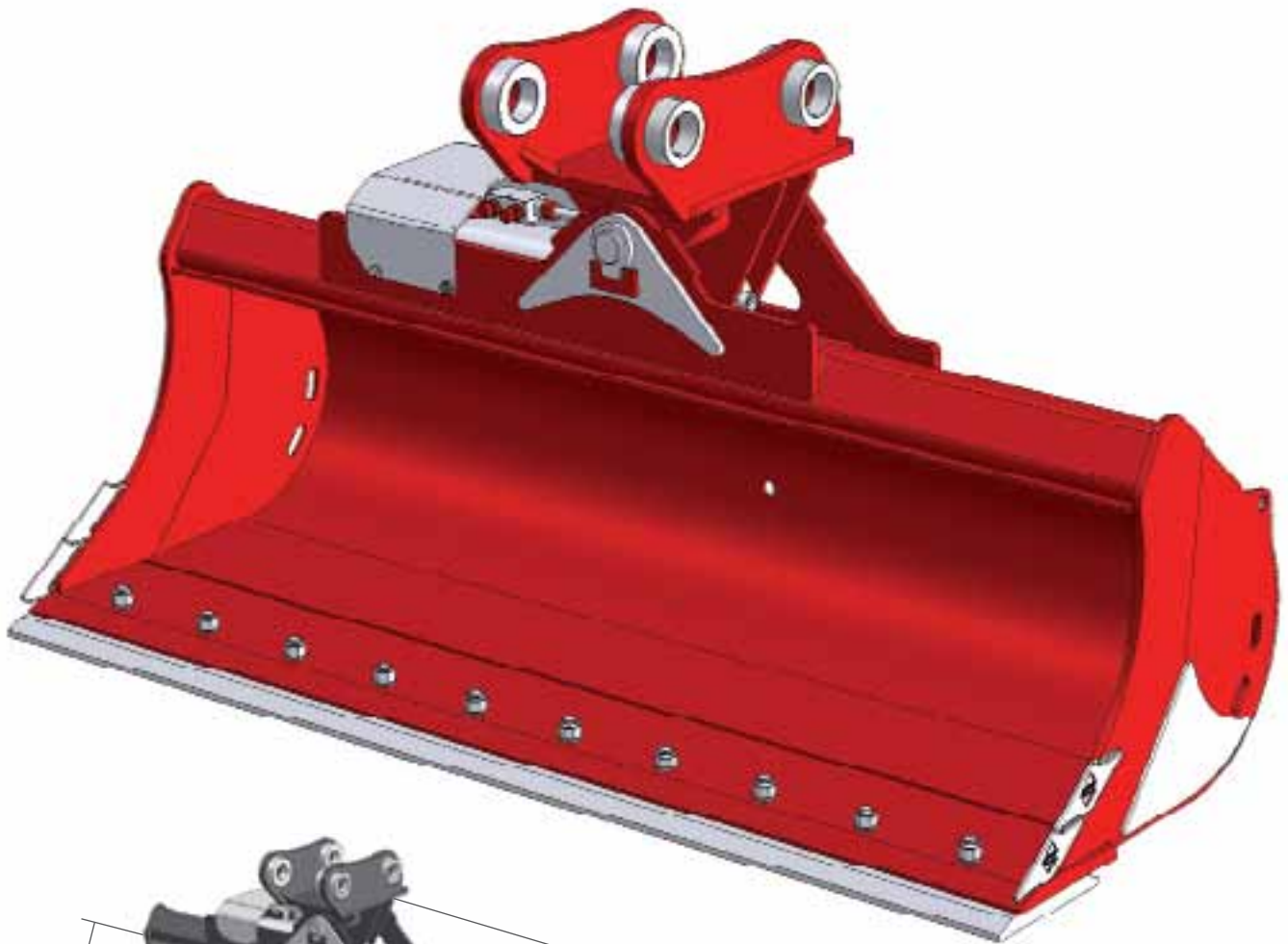
CW AUTOLOCK 10

pag.90



# REINFORCED PIVOTING DITCH CLEANING BUCKET

Evolution of the standard ditch cleaning tilting bucket. The application of HB400 reinforcements at the points of increased wear (bottom and sides), side welded cutters and additional bolted blade make this bucket suitable to hard surfaces. The hydraulic tilting in both directions is 45°.



## ADAPTERS



**AR70**

pag.84



**CR70**

pag.86



**CS80**

pag.88



**CS80 JANUS**


pag.88



**CW AUTOLOCK 10**

pag.90

**TECHNICAL SPECIFICATION**

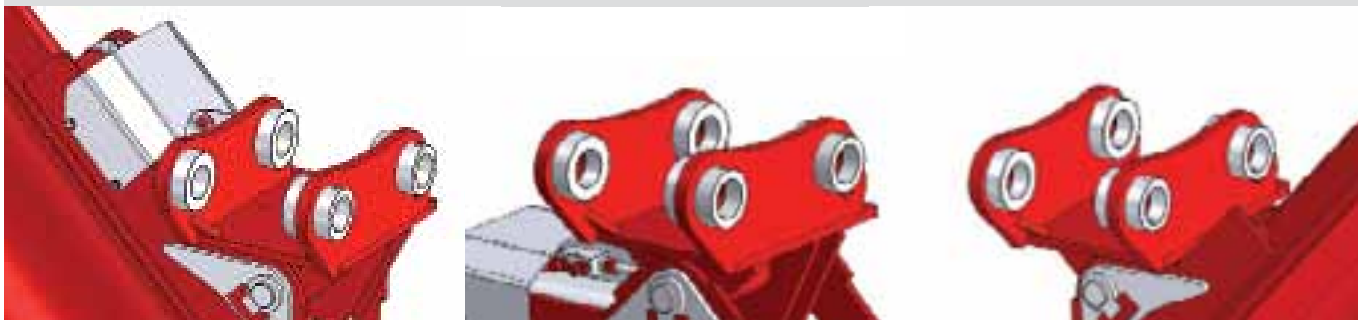
L/mm	 Kg *	CAP. SAE	ATTACHMENT
1200	249	250	AF
1200	249	250	AR
1200	249	250	CR
1200	249	250	CS
1200	249	250	CS Janus
1200	249	250	CW
1400	278	298	AF
1400	278	298	AR
1400	278	298	CR
1400	278	298	CS
1400	278	298	CS Janus
1400	278	298	CW
1600	295	345	AF
1600	295	345	AR
1600	295	345	CR
1600	295	345	CS
1600	295	345	CS Janus
1600	295	345	CW
1800	323	392	AF
1800	323	392	AR
1800	323	392	CR
1800	323	392	CS
1800	323	392	CS Janus
1800	323	392	CW

\* the weight of the bucket is calculated without attachment and teeth

**REINFORCE DETAILS**



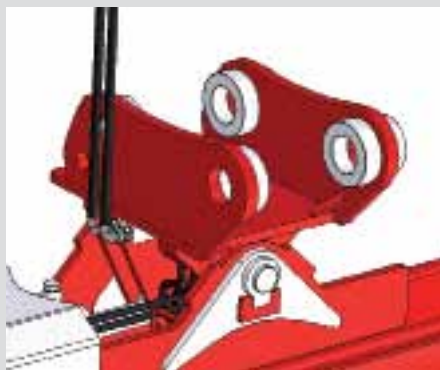
**TILTING DETAIL - 45° + 45°**



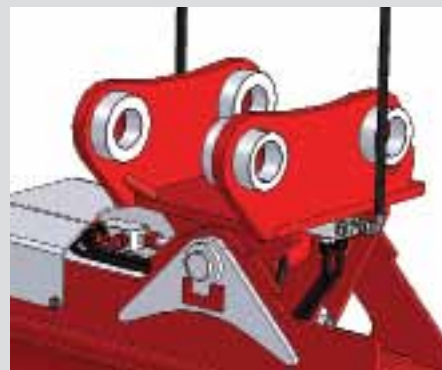
**OPTIONAL**



**KIT HOSES RG**



**KIT HOSES LF**



**KIT HOSES RG + LF**

**OPTIONAL**



**REINFORCEMENT**

**OPTIONAL**

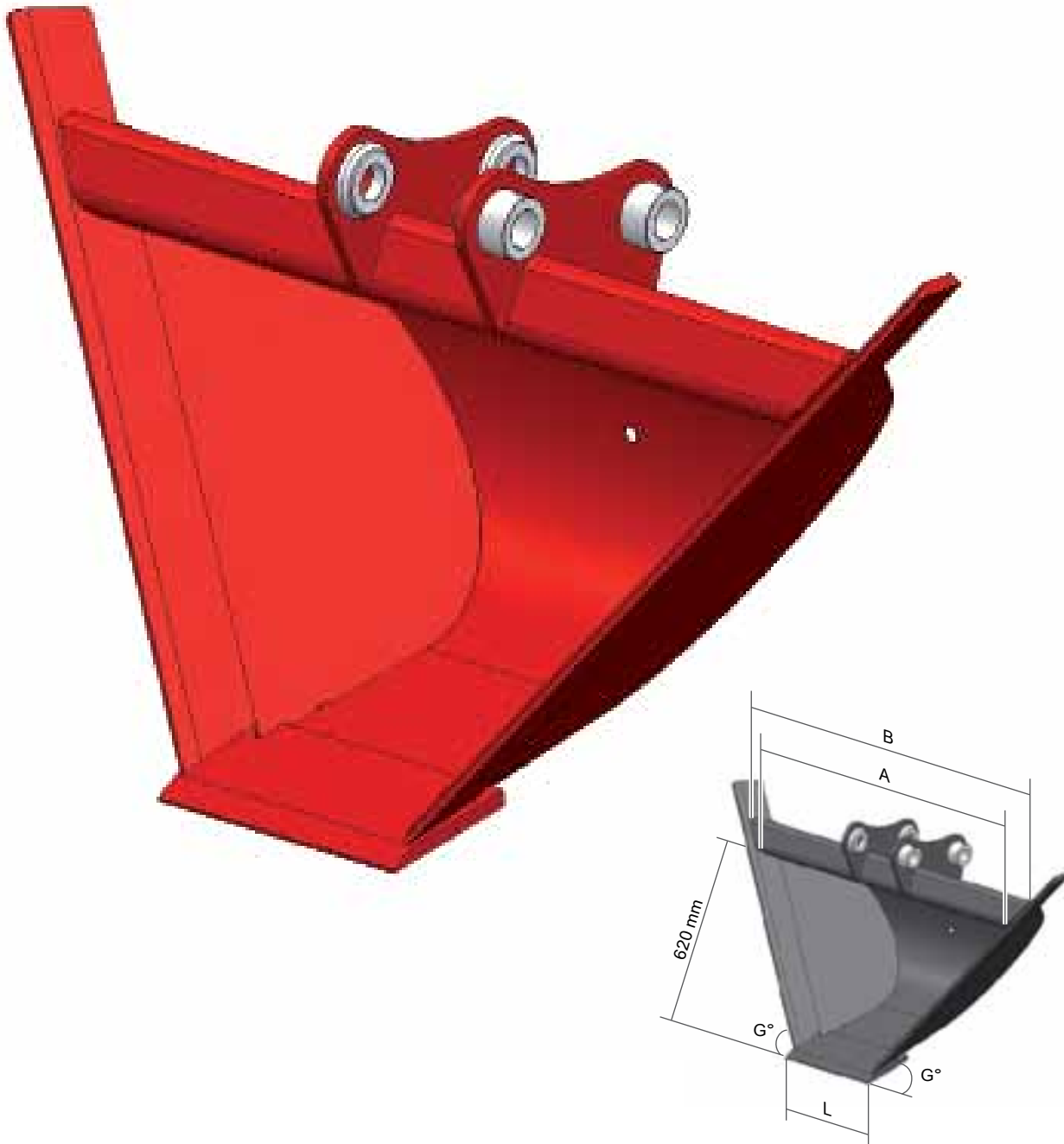


**BEHIND BLADE**

L/mm	
1200	
1400	
1600	
1800	

# TRAPEZOIDAL BUCKET

Used for creation and maintenance of ditches. Particularly suitable for medium texture soils. Available in different inclinations.



## ADAPTERS



AR70

pag.84



CR70

pag.86



CS80

pag.88



CS80 JANUS


pag.88



CW AUTOLOCK 10

pag.90

**TECHNICAL SPECIFICATION**

L/mm	A/mm	B/mm	G°	 *	CAP. SAE	ATTACHMENT
300	1262	1462	45°	158	274	AF
300	1262	1462	45°	158	274	AR
300	1262	1462	45°	158	274	CR
300	1262	1462	45°	158	274	CS
300	1262	1462	45°	158	274	CS Janus
300	1262	1462	45°	158	274	CW
300	1037	1192	52°	138	222	AF
300	1037	1192	52°	138	222	AR
300	1037	1192	52°	138	222	CR
300	1037	1192	52°	138	222	CS
300	1037	1192	52°	138	222	CS Janus
300	1037	1192	52°	138	222	CW
300	826	939	60°	120	174	AF
300	826	939	60°	120	174	AR
300	826	939	60°	120	174	CR
300	826	939	60°	120	174	CS
300	826	939	60°	120	174	CS Janus
300	826	939	60°	120	174	CW
300	711	802	65°	111	153	AF
300	711	802	65°	111	153	AR
300	711	802	65°	111	153	CR
300	711	802	65°	111	153	CS
300	711	802	65°	111	153	CS Janus
300	711	802	65°	111	153	CW
350	1312	1512	45°	165	291	AF
350	1312	1512	45°	165	291	AR
350	1312	1512	45°	165	291	CR
350	1312	1512	45°	165	291	CS
350	1312	1512	45°	165	291	CS Janus
350	1312	1512	45°	165	291	CW
350	1087	1243	52°	144	239	AF
350	1087	1243	52°	144	239	AR
350	1087	1243	52°	144	239	CR
350	1087	1243	52°	144	239	CS
350	1087	1243	52°	144	239	CS Janus
350	1087	1243	52°	144	239	CW
350	876	989	60°	126	191	AF
350	876	989	60°	126	191	AR
350	876	989	60°	126	191	CR
350	876	989	60°	126	191	CS
350	876	989	60°	126	191	CS Janus
350	876	989	60°	126	191	CW
350	761	852	65°	118	169	AF
350	761	852	65°	118	169	AR
350	761	852	65°	118	169	CR
350	761	852	65°	118	169	CS
350	761	852	65°	118	169	CS Janus
350	761	852	65°	118	169	CW

\* the weight of the bucket is calculated without attachment and teeth

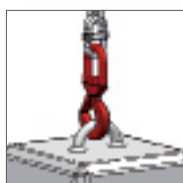
**OPTIONAL**



**WELDED-ON TEETH**

L/mm	N° TEETH
300	3
350	3

**OPTIONAL**



**MOVEMENT HOOK**

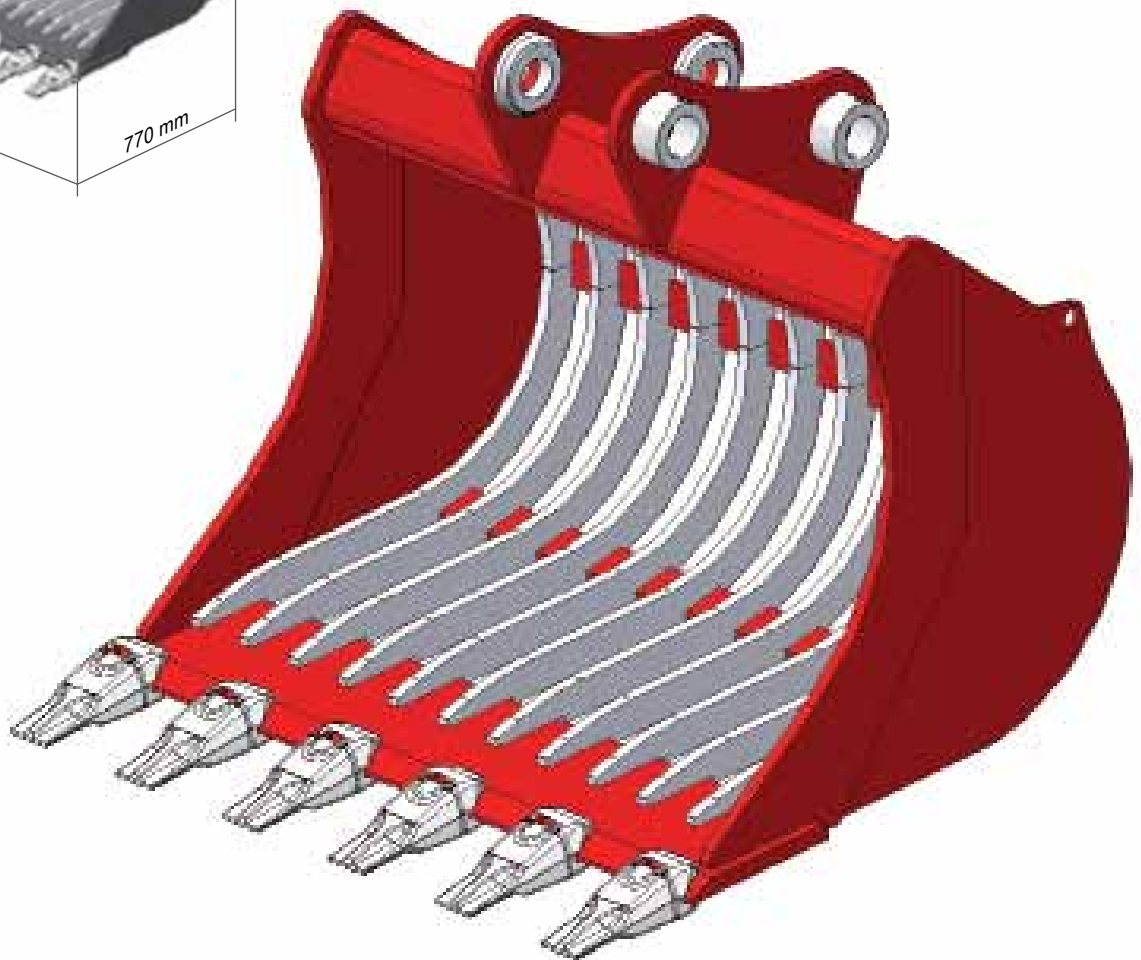
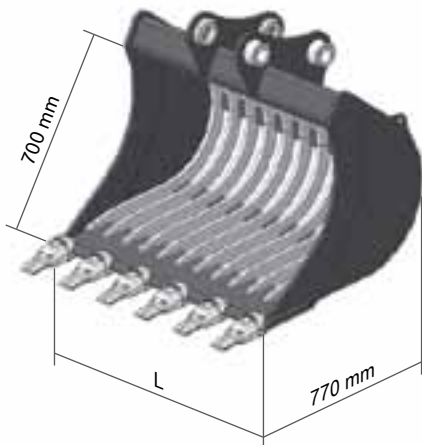
**OPTIONAL**



**TWIST 140**

## SKELETON BUCKET

Used for the selection and separation of inert materials and for their recovery. Available in different sizes depending on the employment. On request it is possible to change the standard distance between the screening grids. This bucket is equipped with welded capsule teeth.



### ADAPTERS



AR70

pag.84



CR70

pag.86



CS80

pag.88



CS80 JANUS

pag.88



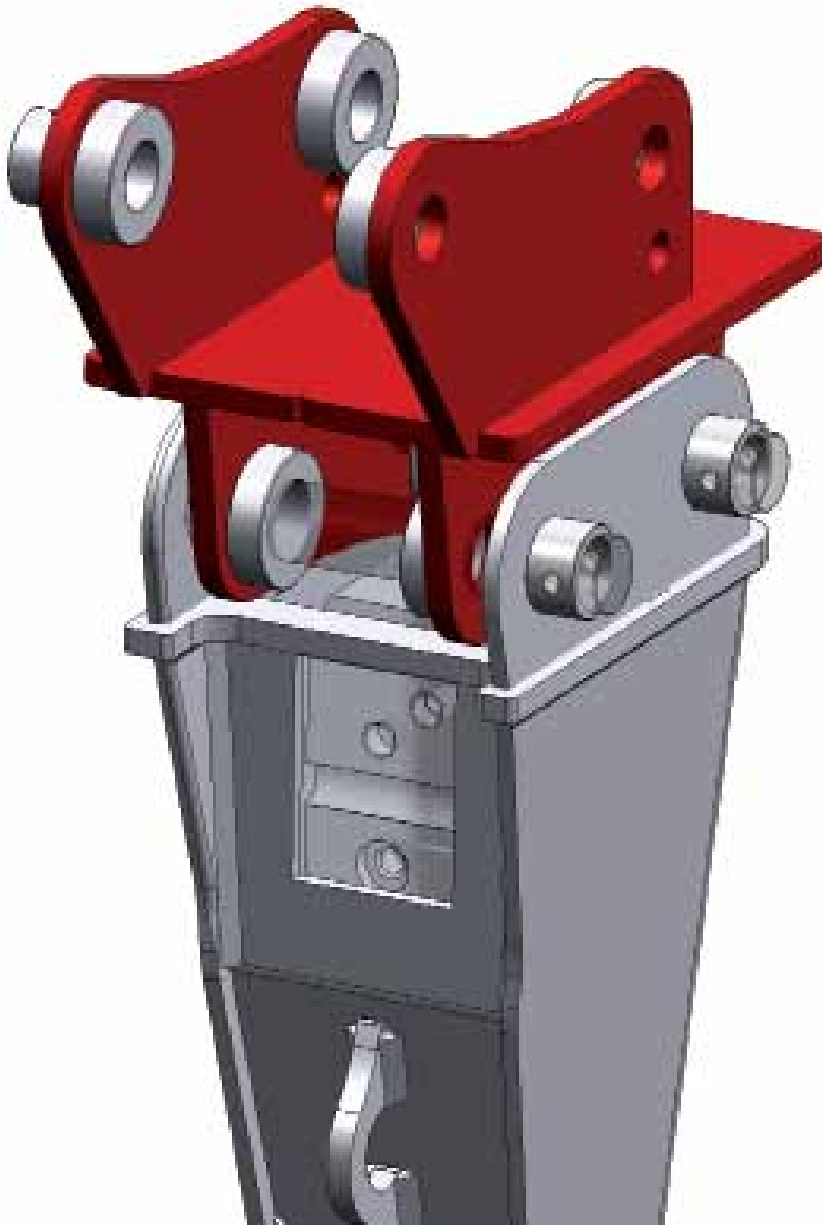
CW AUTOLOCK 10

pag.90



## HAMMER ADAPTER PLATE WITH CONNECTOR

Hammer adapter plates can be realized for any brand and any model of breakers. They allow the coupling to the machine with direct coupling or quick couplings. The adapter includes the connector for hammer coupling.



ON PINS

### ADAPTERS



AR70

pag.84



CR70

pag.86



CS80

pag.88



CS80 JANUS

pag.88

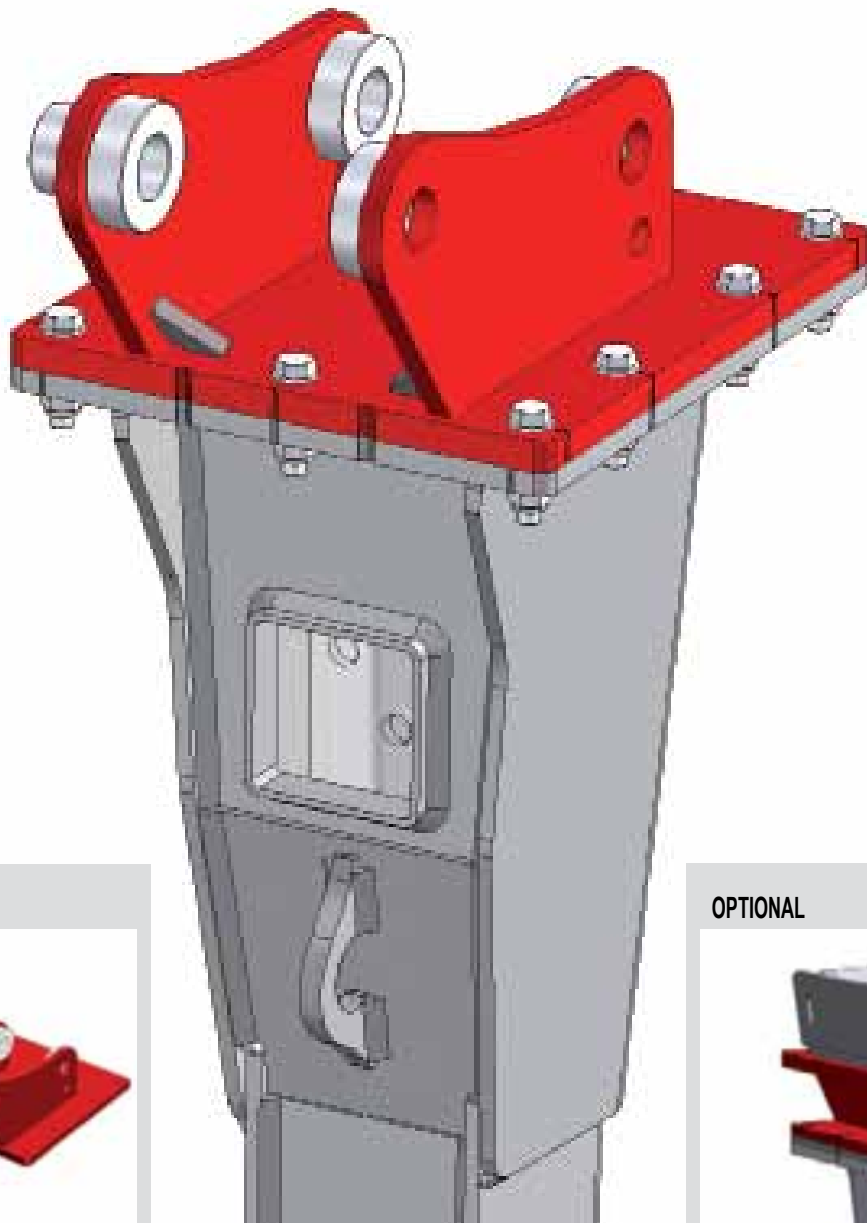


CW AUTOLOCK 10

pag.90

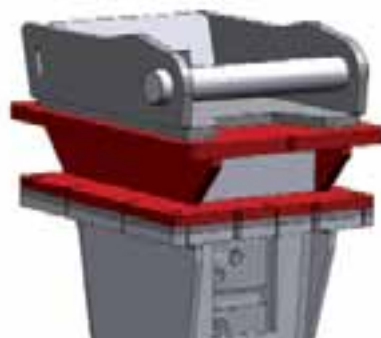
# BOLTED HAMMER ADAPTER PLATE

Hammer adapter plates can be realized for any brand and any model of breakers. They allow the coupling to the machine with direct coupling or quick couplings. The adapter includes the perforated plate for hammer coupling.



**ON PINS  
ADAPTERS**

**OPTIONAL**



**STUCTURE**



**AR70**

pag.84



**CR70**

pag.86



**CS80**

pag.88



**CS80 JANUS**

pag.88

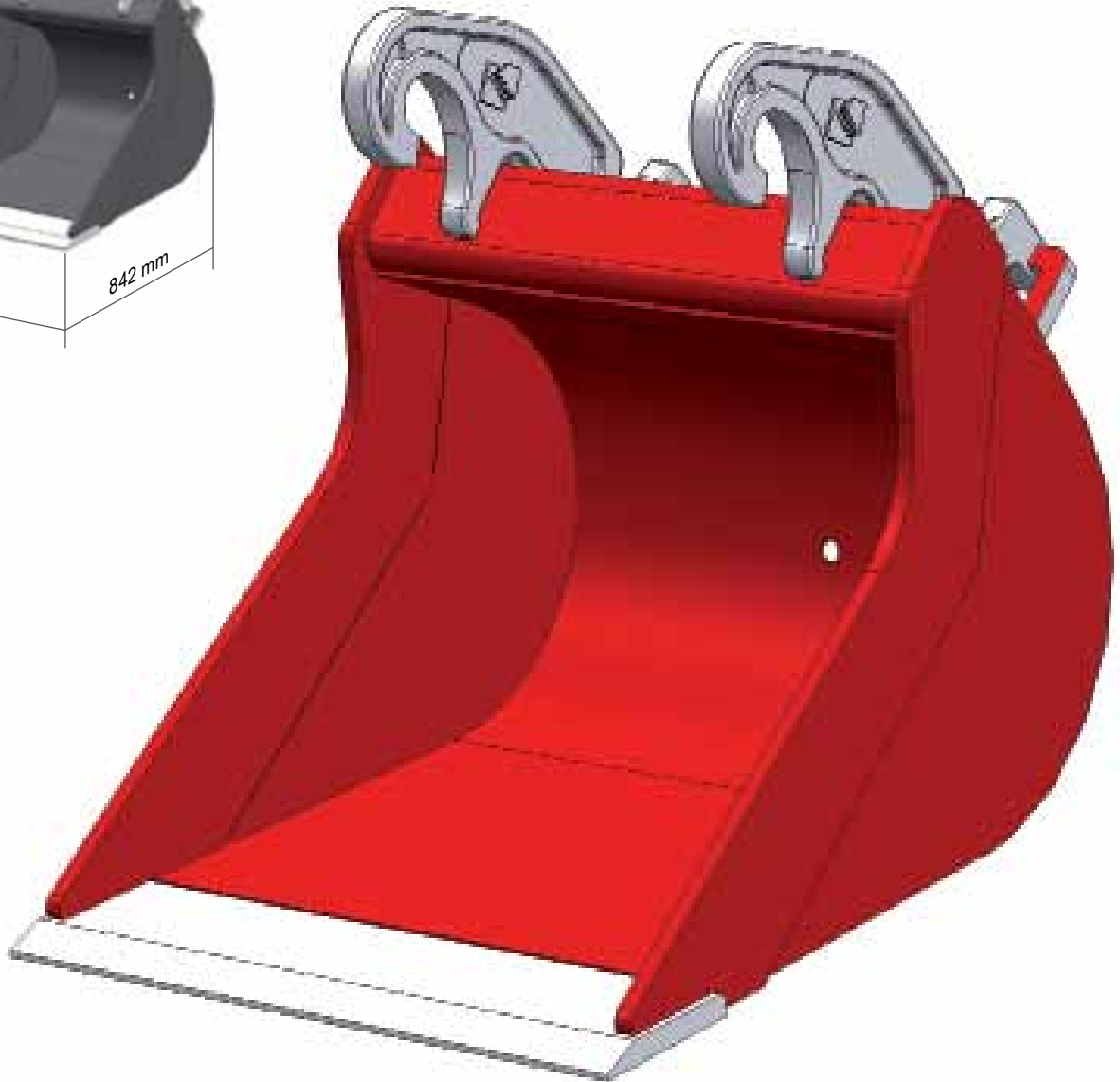
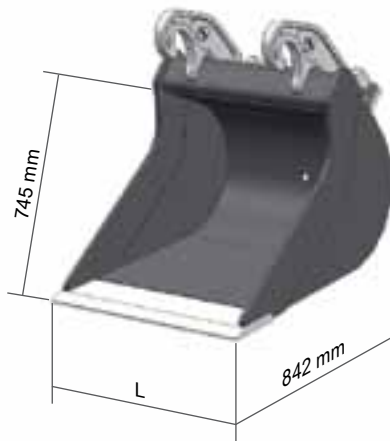


**CW AUTOLOCK 10**

pag.90

## HOLLAND DIGGING BUCKET

Intended, like the name suggests, especially in the Dutch market and all markets with similar morphologies, such as Belgium and the Scandinavian countries. Its elongated shape allows the soil not to join the lateral sides, making it easier the unloading of wet clay materials, which are certainly very present in these areas. Available in different sizes depending on the employment. As the blade is in HB400 material, it is possible to apply only welded capsule teeth.



### ADAPTERS



AR70

pag.84



CR70

pag.86



CS80

pag.88




CS80 JANUS

pag.88



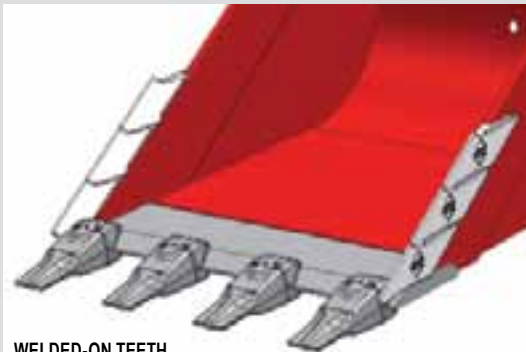
ON PINS

**TECHNICAL SPECIFICATION**

L/mm	 *	CAP. SAE	ATTACHMENT
400	85	94	CW
400	85	94	AR
400	85	94	CR
400	85	94	CS
400	85	94	CS Janus
400	85	94	AF
500	100	128	CW
500	100	128	AR
500	100	128	CR
500	100	128	CS
500	100	128	CS Janus
500	100	128	AF
600	114	165	CW
600	114	165	AR
600	114	165	CR
600	114	165	CS
600	114	165	CS Janus
600	114	165	AF
700	128	203	CW
700	128	203	AR
700	128	203	CR
700	128	203	CS
700	128	203	CS Janus
700	128	203	AF
800	142	243	CW
800	142	243	AR
800	142	243	CR
800	142	243	CS
800	142	243	CS Janus
800	142	243	AF

\* the weight of the bucket is calculated without attachment and teeth

**OPTIONAL**



**WELDED-ON TEETH**

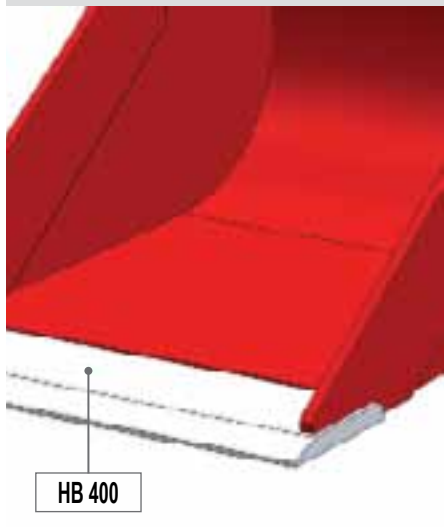
L/mm	N° TEETH
400	3
500	3
600	4
700	4
800	5

**OPTIONAL**



**SIDE CUTTER KIT**

**BLADE DETAIL**



HB 400

**FUSION ATTACHMENT DETAIL**



**OPTIONAL**



CW 10 - REVERSIBLE

**SIDE DETAIL**



**OPTIONAL**



MOVEMENT HOOK

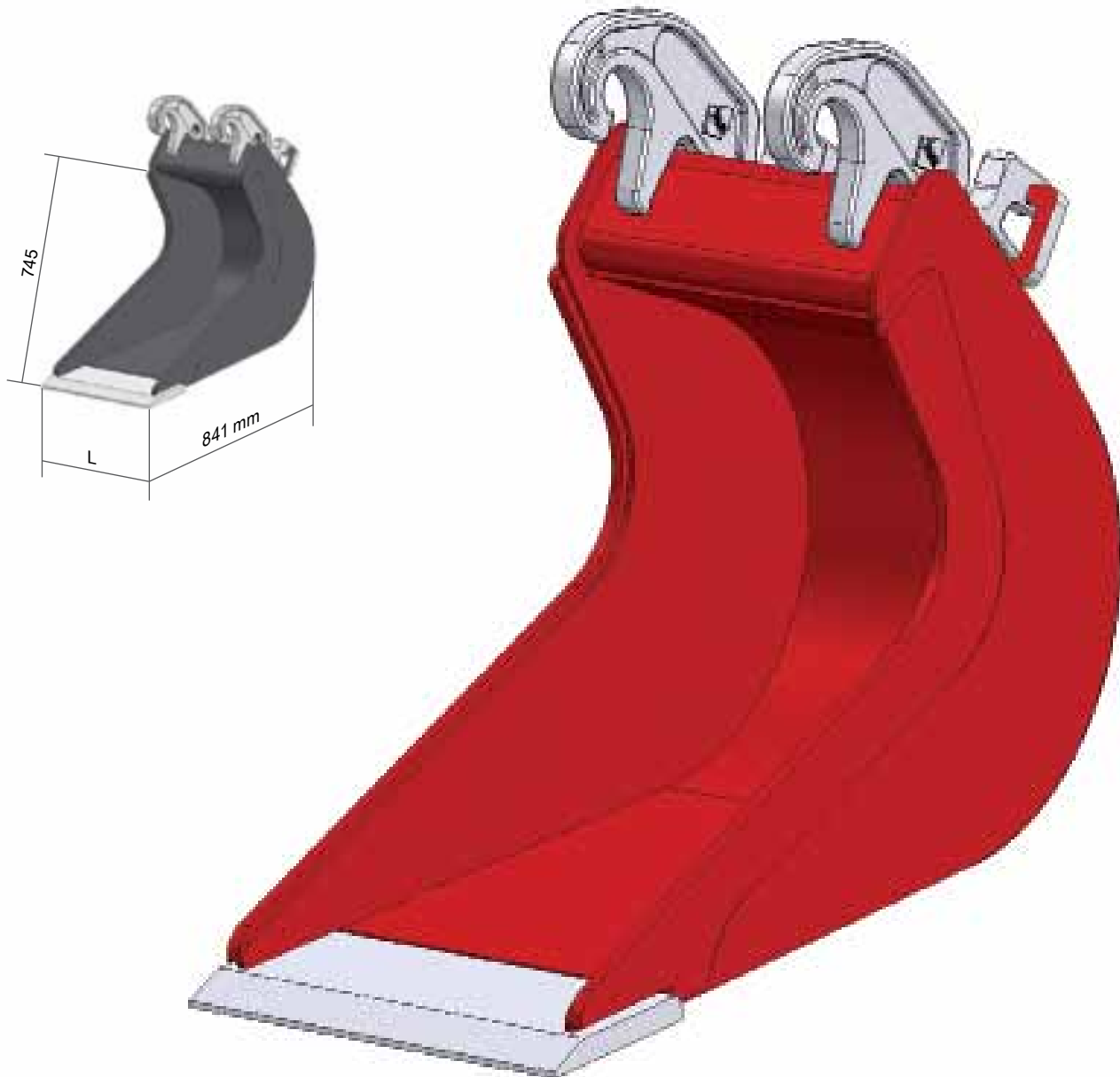
**OPTIONAL**



TWIST 140

## HOLLAND STONE BUCKET (BANANA)

Intended, like the name suggests, especially in the Dutch market and all markets with similar morphologies, such as Belgium and the Scandinavian countries. It's elongated shape called "banana" allow the soil not to join to the sides of the bucket, moreover, these particularly dimensions allow to excavate for the placement of pipes or cables in the cities. Available in different sizes depending on the employment. The blade of the bucket is in HB400, for that, it can be only applied welded capsule teeth.



### ADAPTERS



AR70

pag.84



CR70

pag.86



CS80

pag.88



CS80 JANUS

pag.88

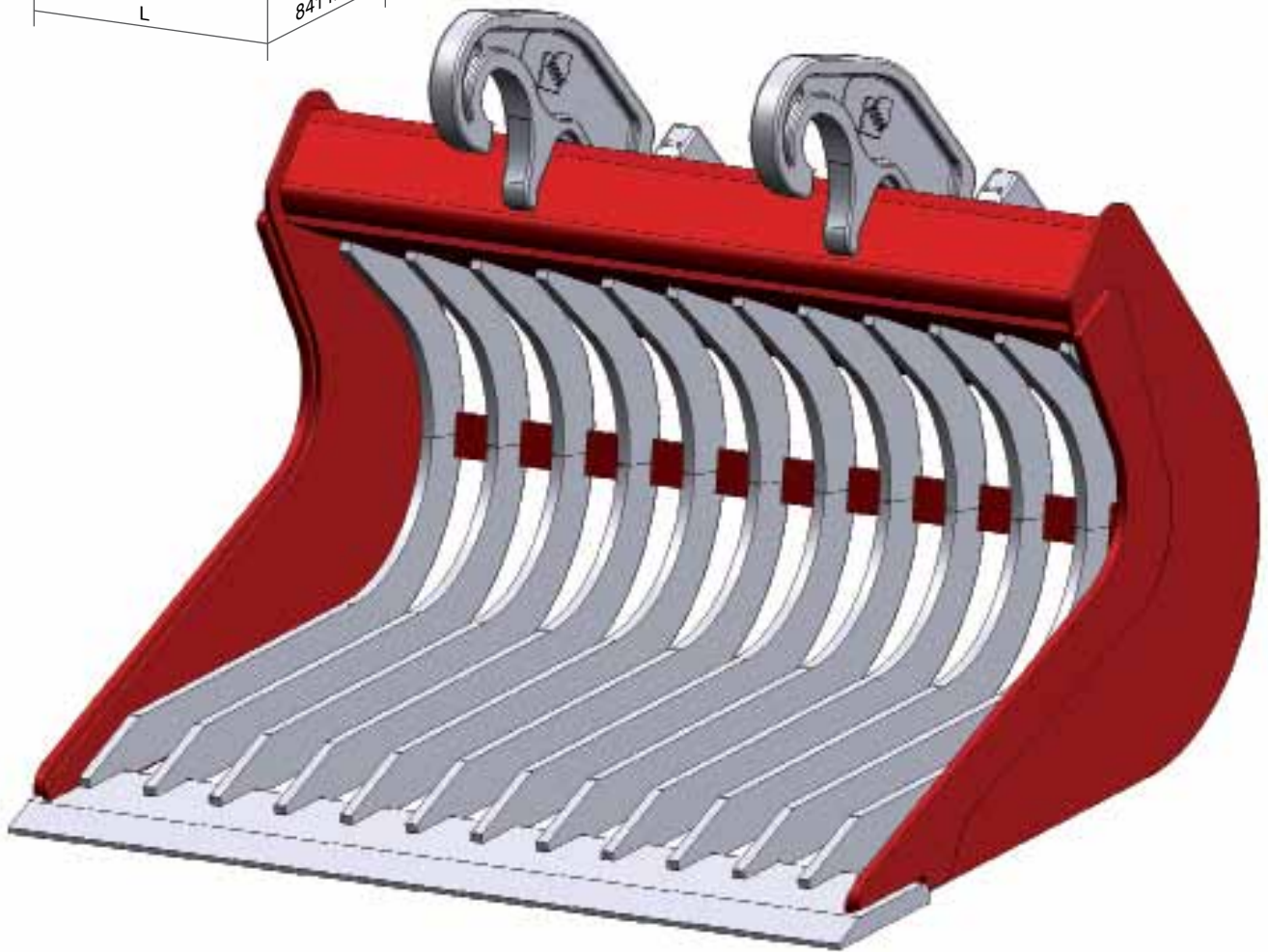
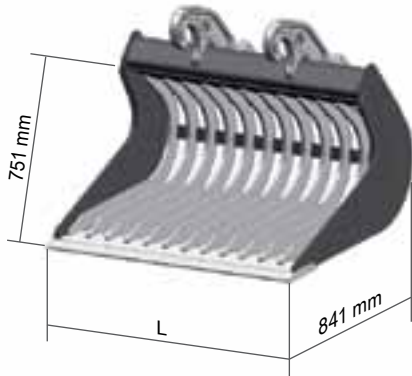


ON PINS



## HOLLAND SKELETON BUCKET

Intended, like its name suggests, especially for the Dutch market and all markets with similar morphologies, such as Belgium and the Scandinavian countries. The bucket has been designed with a bottom longer than the standard bucket. Used for the selection and separation of inert materials and for their recovery. Available in different sizes depending on the employment.



### ADAPTERS



AR70

pag.84



CR70

pag.86



CS80

pag.88




CS80 JANUS

pag.88



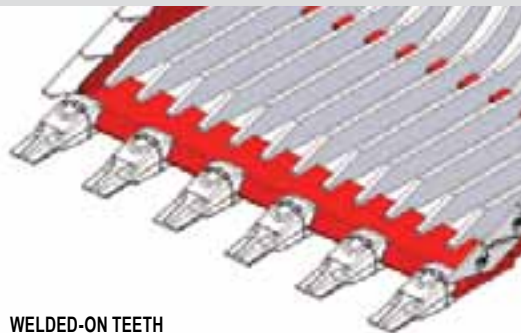
ON PINS

**TECHNICAL SPECIFICATION**

L/mm	 *	CAP. SAE	ATTACHMENT
600	110	183	CW
600	110	183	AR
600	110	183	CR
600	110	183	CS
600	110	183	CS Janus
600	110	183	AF
700	123	222	CW
700	123	222	AR
700	123	222	CR
700	123	222	CS
700	123	222	CS Janus
700	123	222	AF
800	140	262	CW
800	140	262	AR
800	140	262	CR
800	140	262	CS
800	140	262	CS Janus
800	140	262	AF
900	153	302	CW
900	153	302	AR
900	153	302	CR
900	153	302	CS
900	153	302	CS Janus
900	153	302	AF
1000	166	343	CW
1000	166	343	AR
1000	166	343	CR
1000	166	343	CS
1000	166	343	CS Janus
1000	166	343	AF
1100	183	383	CW
1100	183	383	AR
1100	183	383	CR
1100	183	383	CS
1100	183	383	CS Janus
1100	183	383	AF

\* the weight of the bucket is calculated without attachment and teeth

**OPTIONAL**



**WELDED-ON TEETH**

L/mm	N° TEETH
600	4
700	4
800	5
900	5
1000	5
1100	5

**OPTIONAL**



**SIDE CUTTER KIT**

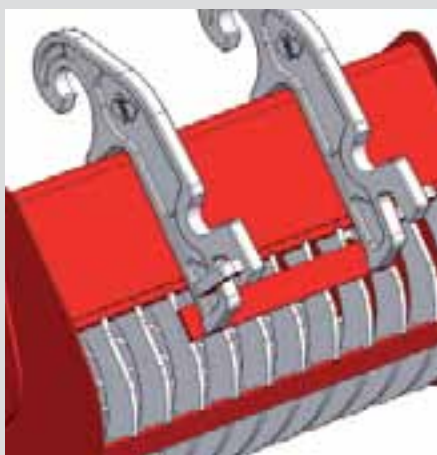
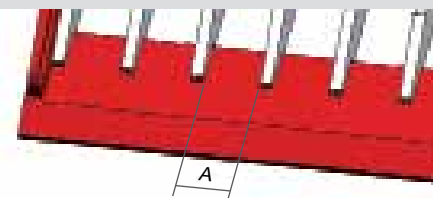
**OPTIONAL**



**CW 10 - REVERSIBLE**

**OPTIONAL**

**FUSION ATTACHMENT DETAIL**



**STANDARD SKELETON**

L/mm	A/mm	L/mm	A/mm
600	55	900	52
700	59	1000	55
800	55	1100	57

**SIDE DETAIL**



**OPTIONAL**



**MOVEMENT HOOK**

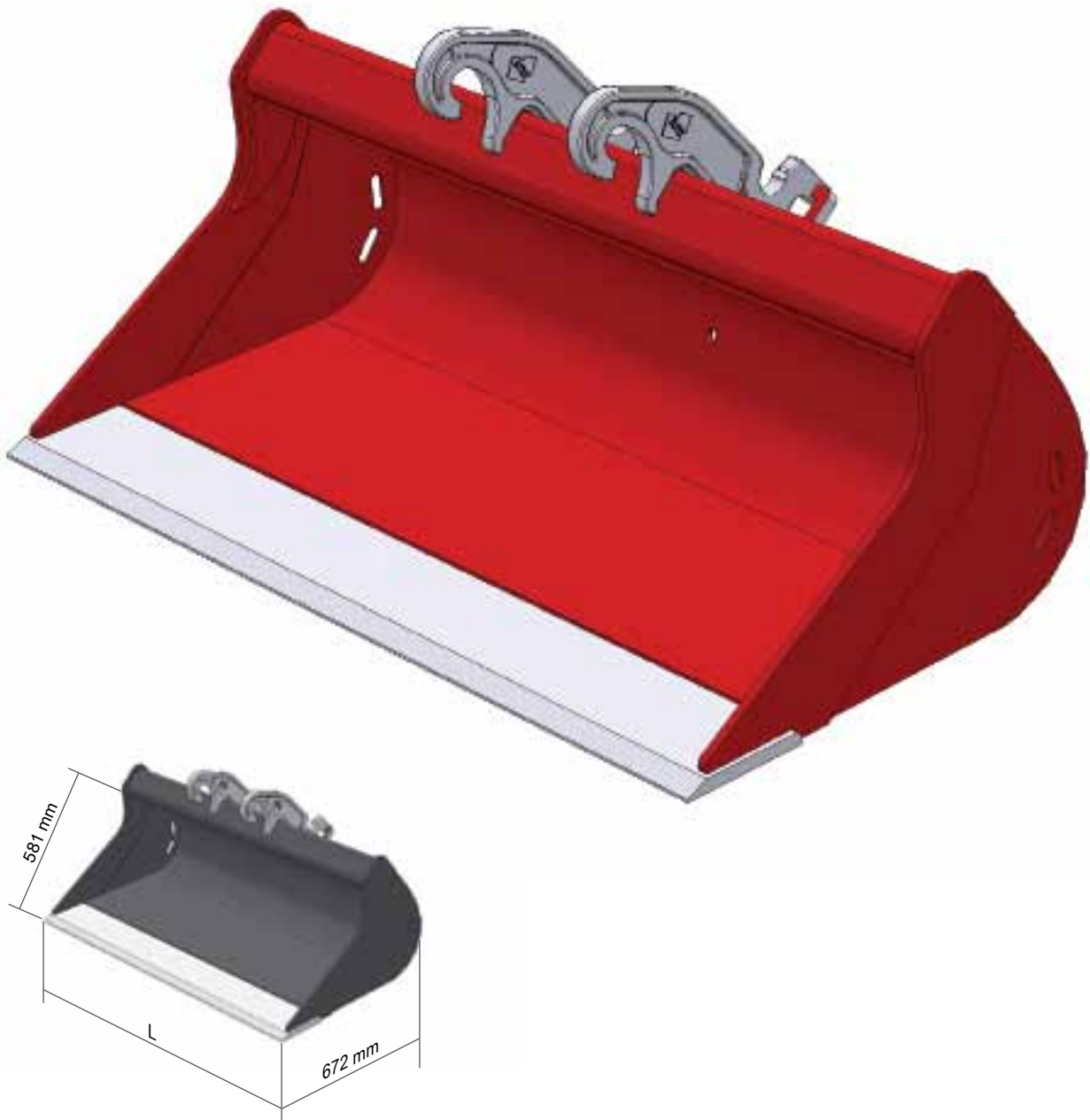
**OPTIONAL**



**TWIST 140**

# HOLLAND DITCH CLEANING BUCKET

Intended, like the name suggests, especially for the Dutch market and all markets with similar morphologies, such as Belgium and the Scandinavian countries. The bucket has been designed with a bottom longer than the traditional ditch cleaning buckets. It is used for cleaning and leveling of roads, ditches and slopes. Available in different sizes depending on the employment.



## ADAPTERS



**AR70**

pag.84



**CR70**

pag.86



**CS80**

pag.88




**CS80 JANUS**

pag.88



**ON PINS**

**TECHNICAL SPECIFICATION**

L/mm	 *	CAP. SAE	ATTACHMENT
1200	164	283	CW
1200	164	283	AR
1200	164	283	CR
1200	164	283	CS
1200	164	283	CS Janus
1200	164	283	AF
1300	177	311	CW
1300	177	311	AR
1300	177	311	CR
1300	177	311	CS
1300	177	311	CS Janus
1300	177	311	AF
1400	189	341	CW
1400	189	341	AR
1400	189	341	CR
1400	189	341	CS
1400	189	341	CS Janus
1400	189	341	AF
1500	202	368	CW
1500	202	368	AR
1500	202	368	CR
1500	202	368	CS
1500	202	368	CS Janus
1500	202	368	AF
1600	214	396	CW
1600	214	396	AR
1600	214	396	CR
1600	214	396	CS
1600	214	396	CS Janus
1600	214	396	AF

\* the weight of the bucket is calculated without attachment and teeth

**OPTIONAL**



**SIDE CUTTER KIT**

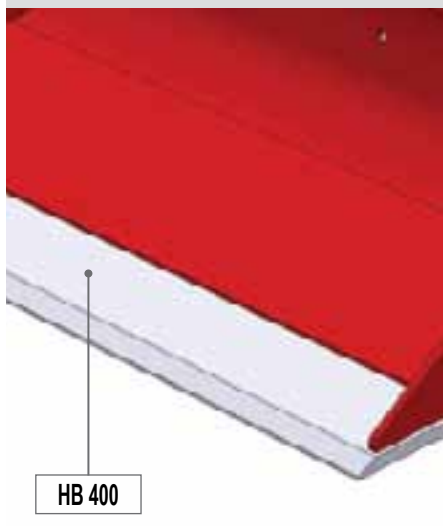
L/mm
1200
1300
1400
1500
1600

**OPTIONAL**

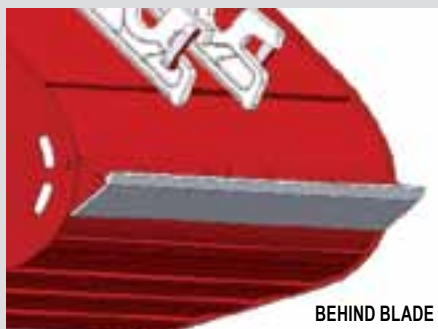


**REINFORCEMENT**

**BLADE DETAIL**



**OPTIONAL**



BEHIND BLADE

L/mm
1200
1300
1400
1500
1600

**OPTIONAL**



CW 10 - REVERSIBLE

**SIDE DETAIL**



**OPTIONAL**



MOVEMENT HOOK

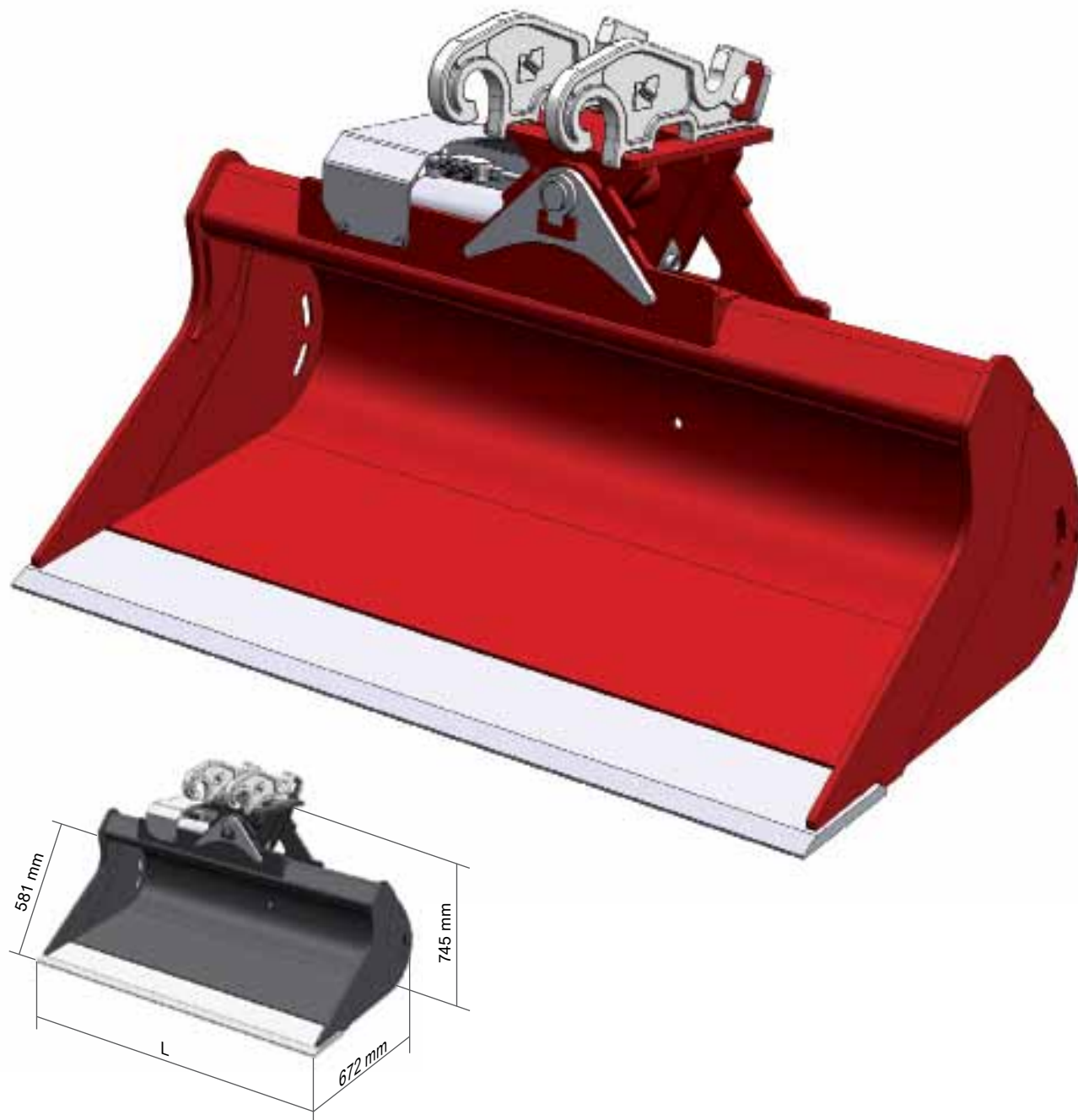
**OPTIONAL**



TWIST 140

## HOLLAND PIVOTING DITCH CLEANING BUCKET

Intended, like its name suggests, especially for the Dutch market and all markets with similar morphologies, such as Belgium and the Scandinavian countries. The bucket has been designed with a bottom longer than the traditional ditch cleaning tilting buckets. Used for cleaning and leveling of roads, ditches and slopes. Hydraulic Tilting in both directions of 45°. Available in different sizes depending on the employment.



### ADAPTERS



AR70

pag.84



CR70

pag.86



CS80

pag.88



CS80 JANUS

pag.88



ON PINS



