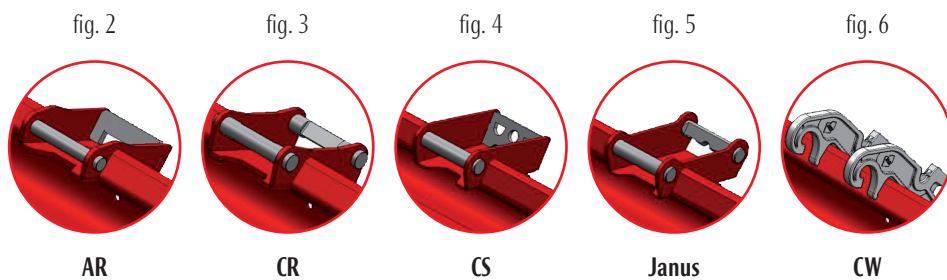
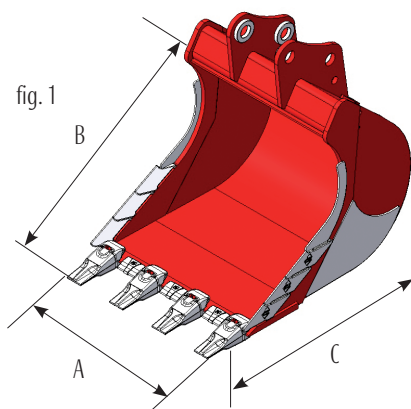


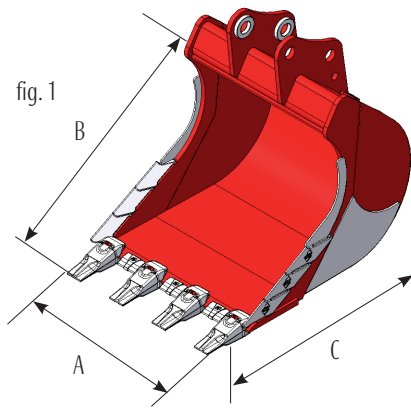
SB 73 - Fe 510 BENNE SEMIBLOCCHI RINFORZATE / SPECIAL STONE BUCKETS REINFORCED

A mm.	B mm.	C mm.	Peso vasca Bucket body kg.	Cap. Sae	Nr. denti Nr. teeth	Attacco Attachment	Fig.
300	736	811	89	76	2	AF	1
300	736	811	89	76	2	AR	2
300	736	811	89	76	2	CR	3
300	736	811	89	76	2	CS	4
300	736	811	89	76	2	Janus	5
300	736	811	89	76	2	CW	6
350	736	811	89	76	3	AF	1
350	736	811	89	76	3	AR	2
350	736	811	89	76	3	CR	3
350	736	811	89	76	3	CS	4
350	736	811	89	76	3	Janus	5
350	736	811	89	76	3	CW	6
400	736	811	89	76	3	AF	1
400	736	811	89	76	3	AR	2
400	736	811	89	76	3	CR	3
400	736	811	89	76	3	CS	4
400	736	811	89	76	3	Janus	5
400	736	811	89	76	3	CW	6
450	736	811	89	76	3	AF	1
450	736	811	89	76	3	AR	2
450	736	811	89	76	3	CR	3
450	736	811	89	76	3	CS	4
450	736	811	89	76	3	Janus	5
450	736	811	89	76	3	CW	6
500	736	811	89	76	3	AF	1
500	736	811	89	76	3	AR	2
500	736	811	89	76	3	CR	3
500	736	811	89	76	3	CS	4
500	736	811	89	76	3	Janus	5
500	736	811	89	76	3	CW	6



SB 73 - Fe 510 BENNE SEMIBLOCCHI RINFORZATE / SPECIAL STONE BUCKETS REINFORCED

A mm.	B mm.	C mm.	Peso vasca Bucket body kg.	Cap. Sae	Nr. denti Nr. teeth	Attacco Attachment	Fig.
600	736	811	129	196	4	AF	1
600	736	811	129	196	4	AR	2
600	736	811	129	196	4	CR	3
600	736	811	129	196	4	CS	4
600	736	811	129	196	4	Janus	5
600	736	811	129	196	4	CW	6
700	736	811	157	240	4	AF	1
700	736	811	157	240	4	AR	2
700	736	811	157	240	4	CR	3
700	736	811	157	240	4	CS	4
700	736	811	157	240	4	Janus	5
700	736	811	157	240	4	CW	6
800	736	811	174	286	5	AF	1
800	736	811	174	286	5	AR	2
800	736	811	174	286	5	CR	3
800	736	811	174	286	5	CS	4
800	736	811	174	286	5	Janus	5
800	736	811	174	286	5	CW	6
900	736	811	193	333	5	AF	1
900	736	811	193	333	5	AR	2
900	736	811	193	333	5	CR	3
900	736	811	193	333	5	CS	4
900	736	811	193	333	5	Janus	5
900	736	811	193	333	5	CW	6
1000	736	811	212	379	5	AF	1
1000	736	811	212	379	5	AR	2
1000	736	811	212	379	5	CR	3
1000	736	811	212	379	5	CS	4
1000	736	811	212	379	5	Janus	5
1000	736	811	212	379	5	CW	6



AR



CR



CS



Janus



CW

SB 73 - Fe 510 BENNE SEMIBLOCCHI RINFORZATE / SPECIAL STONE BUCKETS REINFORCED

A mm.	B mm.	C mm.	Peso vasca Bucket body kg.	Cap. Sae	Nr. denti Nr. teeth	Attacco Attachment	Fig.
1100	736	811	230	430	5	AF	1
1100	736	811	230	430	5	AR	2
1100	736	811	230	430	5	CR	3
1100	736	811	230	430	5	CS	4
1100	736	811	230	430	5	Janus	5
1100	736	811	230	430	5	CW	6