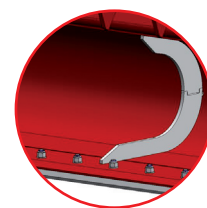


SPR 55 - BENNE PULIZIA SCARPATE RINFORZATE / DITCH CLEANING BUCKETS REINFORCED

A mm.	B mm.	C mm.	Peso vasca Bucket body kg.	Cap. Sae	Attacco Attachment	Fig.
1200	557	670	234	326	AF	1
1200	557	670	234	326	AR	2
1200	557	670	234	326	CR	3
1200	557	670	234	326	CS	4
1200	557	670	234	326	Janus	5
1200	557	670	234	326	CW	6
1400	557	670	270	387	AF	1
1400	557	670	270	387	AR	2
1400	557	670	270	387	CR	3
1400	557	670	270	387	CS	4
1400	557	670	270	387	Janus	5
1400	557	670	270	387	CW	6
1600	557	670	306	447	AF	1
1600	557	670	306	447	AR	2
1600	557	670	306	447	CR	3
1600	557	670	306	447	CS	4
1600	557	670	306	447	Janus	5
1600	557	670	306	447	CW	6

fig. 7



Lunetta

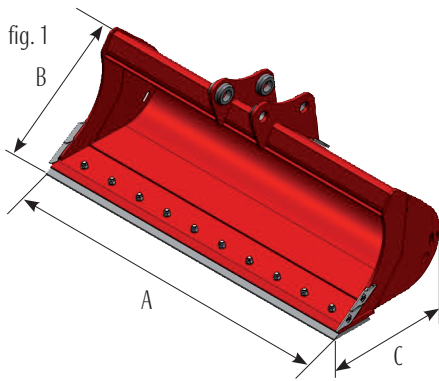


fig. 2



AR

fig. 3



CR

fig. 4



CS

fig. 5



Janus

fig. 6

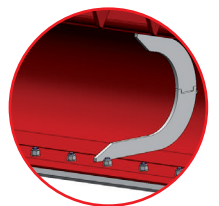


CW

SPR 55 - BENNE PULIZIA SCARPATE RINFORZATE / DITCH CLEANING BUCKETS REINFORCED

A mm.	B mm.	C mm.	Peso vasca Bucket body kg.	Cap. Sae	Attacco Attachment	Fig.
1800	557	670	342	507	AF	1
1800	557	670	342	507	AR	2
1800	557	670	342	507	CR	3
1800	557	670	342	507	CS	4
1800	557	670	342	507	Janus	5
1800	557	670	342	507	CW	6

fig. 7



Lunetta