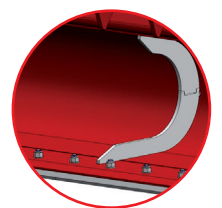


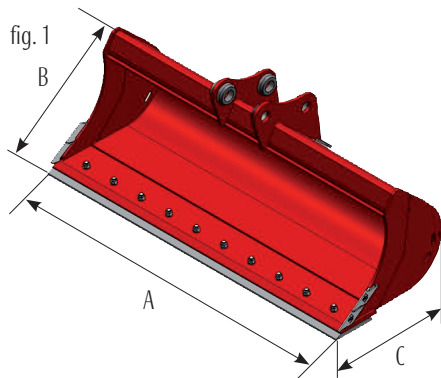
SPR 50 - BENNE PULIZIA SCARPATE RINFORZATE / DITCH CLEANING BUCKETS REINFORCED

A mm.	B mm.	C mm.	Peso vasca Bucket body kg.	Cap. Sae	Attacco Attachment	Fig.
1200	505	588	190	250	AF	1
1200	505	588	190	250	AR	2
1200	505	588	190	250	CR	3
1200	505	588	190	250	CS	4
1200	505	588	190	250	Janus	5
1200	505	588	190	250	CW	6
1400	505	588	219	298	AF	1
1400	505	588	219	298	AR	2
1400	505	588	219	298	CR	3
1400	505	588	219	298	CS	4
1400	505	588	219	298	Janus	5
1400	505	588	219	298	CW	6
1600	505	588	236	345	AF	1
1600	505	588	236	345	AR	2
1600	505	588	236	345	CR	3
1600	505	588	236	345	CS	4
1600	505	588	236	345	Janus	5
1600	505	588	236	345	CW	6

fig. 7



Lunetta



AR



CR



CS



Janus

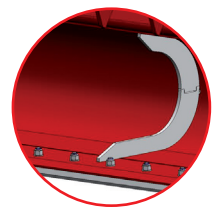


CW

SPR 50 - BENNE PULIZIA SCARPATE RINFORZATE / DITCH CLEANING BUCKETS REINFORCED

A mm.	B mm.	C mm.	Peso vasca Bucket body kg.	Cap. Sae	Attacco Attachment	Fig.
1800	505	588	264	392	AF	1
1800	505	588	264	392	AR	2
1800	505	588	264	392	CR	3
1800	505	588	264	392	CS	4
1800	505	588	264	392	Janus	5
1800	505	588	264	392	CW	6

fig. 7



Lunetta