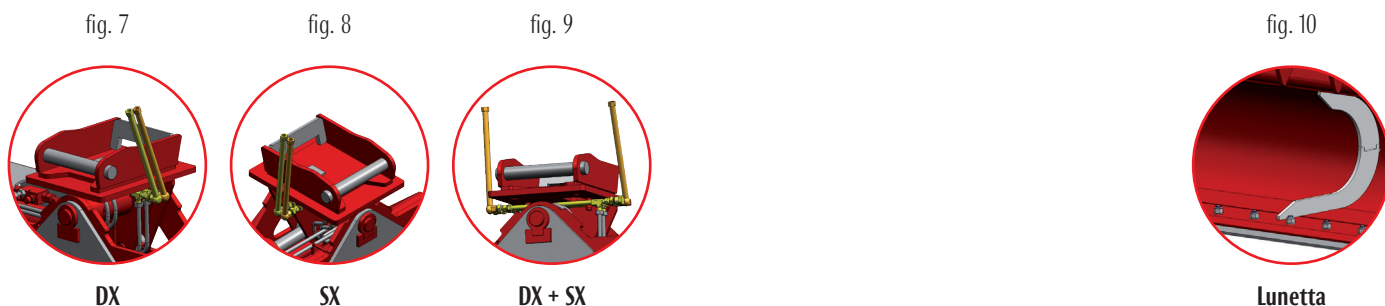


SQR 55 - BENNE PULIZIA SCARPATE ORIENTABILI RINFORZATE / PIVOTING DITCH CLEANING BUCKETS REINFORCED

A mm.	B mm.	C mm.	D mm.	Peso vasca Bucket body kg.	Cap. Sae	Attacco Attachment	Fig.
1200	557	670	746	336	326	AF	1
1200	557	670	746	336	326	AR	2
1200	557	670	746	336	326	CR	3
1200	557	670	746	336	326	CS	4
1200	557	670	746	336	326	Janus	5
1200	557	670	746	336	326	CW	6
1400	557	670	746	372	387	AF	1
1400	557	670	746	372	387	AR	2
1400	557	670	746	372	387	CR	3
1400	557	670	746	372	387	CS	4
1400	557	670	746	372	387	Janus	5
1400	557	670	746	372	387	CW	6
1600	557	670	746	408	447	AF	1
1600	557	670	746	408	447	AR	2
1600	557	670	746	408	447	CR	3
1600	557	670	746	408	447	CS	4
1600	557	670	746	408	447	Janus	5
1600	557	670	746	408	447	CW	6



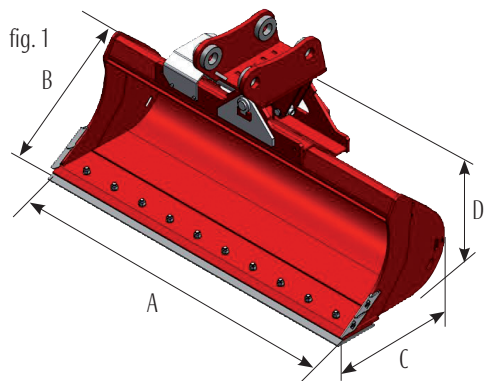
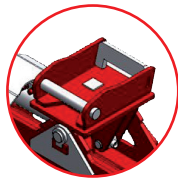


fig. 2



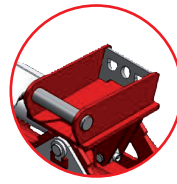
AR

fig. 3



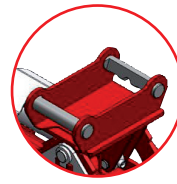
CR

fig. 4



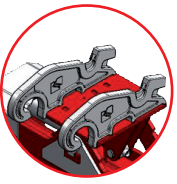
CS

fig. 5



Janus

fig. 6

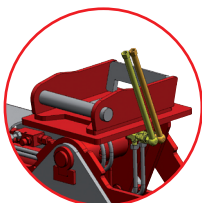


CW

SQR 55 - BENNE PULIZIA SCARPATE ORIENTABILI RINFORZATE / PIVOTING DITCH CLEANING BUCKETS REINFORCED

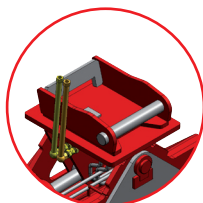
A mm.	B mm.	C mm.	D mm.	Peso vasca Bucket body kg.	Cap. Sae	Attacco Attachment	Fig.
1800	557	670	746	444	507	AF	1
1800	557	670	746	444	507	AR	2
1800	557	670	746	444	507	CR	3
1800	557	670	746	444	507	CS	4
1800	557	670	746	444	507	Janus	5
1800	557	670	746	444	507	CW	6

fig. 7



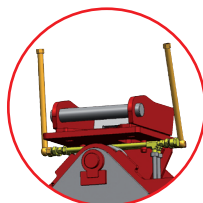
DX

fig. 8



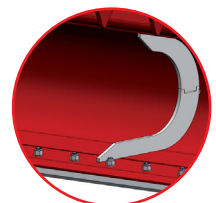
SX

fig. 9



DX + SX

fig. 10



Lunetta