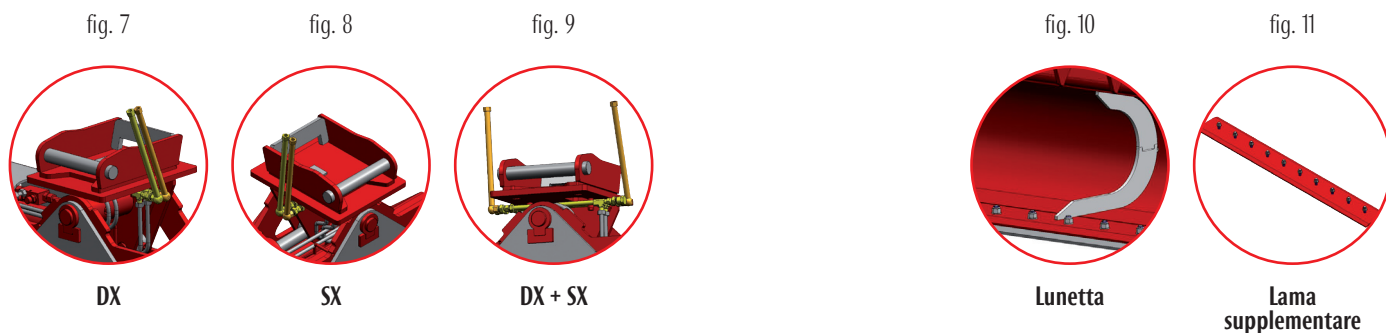
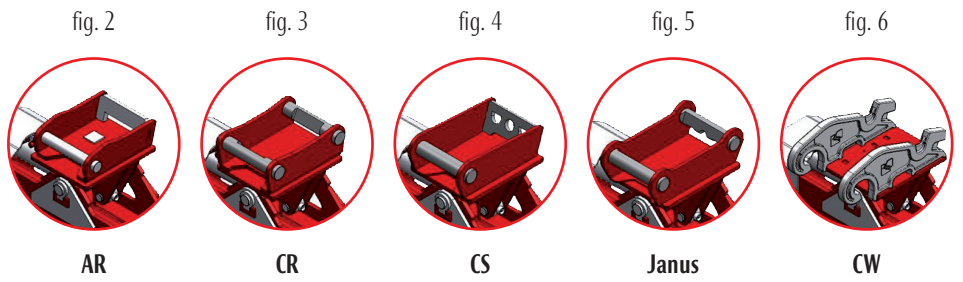
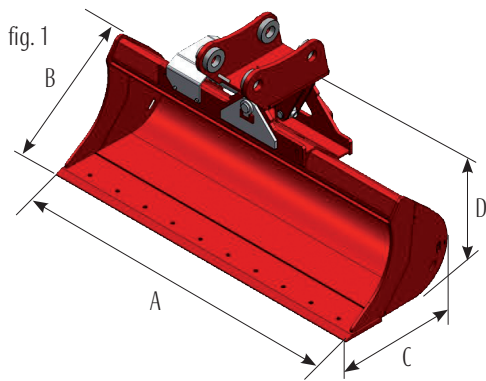


SQ 55 - Fe 510 BENNE PULIZIA SCARPATE ORIENTABILI / PIVOTING DITCH CLEANING BUCKETS

A mm.	B mm.	C mm.	D mm.	Peso vasca Bucket body kg.	Cap. Sae	Attacco Attachment	Fig.
1200	557	670	746	285	326	AF	1
1200	557	670	746	285	326	AR	2
1200	557	670	746	285	326	CR	3
1200	557	670	746	285	326	CS	4
1200	557	670	746	285	326	Janus	5
1200	557	670	746	285	326	CW	6
1400	557	670	746	314	387	AF	1
1400	557	670	746	314	387	AR	2
1400	557	670	746	314	387	CR	3
1400	557	670	746	314	387	CS	4
1400	557	670	746	314	387	Janus	5
1400	557	670	746	314	387	CW	6
1600	557	670	746	342	447	AF	1
1600	557	670	746	342	447	AR	2
1600	557	670	746	342	447	CR	3
1600	557	670	746	342	447	CS	4
1600	557	670	746	342	447	Janus	5
1600	557	670	746	342	447	CW	6





SQ 55 - Fe 510 BENNE PULIZIA SCARPATE ORIENTABILI / PIVOTING DITCH CLEANING BUCKETS

A mm.	B mm.	C mm.	D mm.	Peso vasca Bucket body kg.	Cap. Sae	Attacco Attachment	Fig.
1800	557	670	746	371	507	AF	1
1800	557	670	746	371	507	AR	2
1800	557	670	746	371	507	CR	3
1800	557	670	746	371	507	CS	4
1800	557	670	746	371	507	Janus	5
1800	557	670	746	371	507	CW	6

