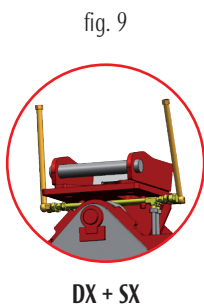
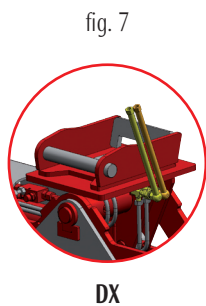
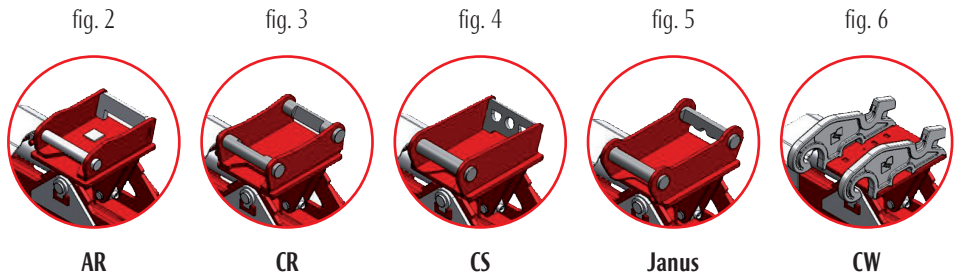
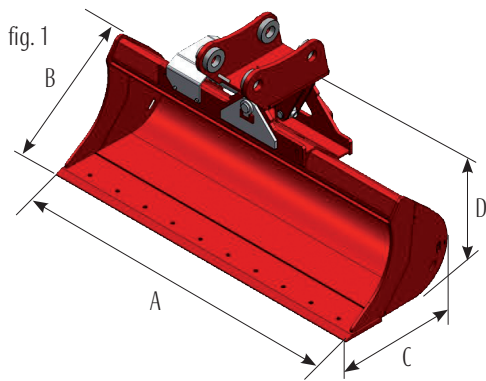


SQ 50 - Fe 510 BENNE PULIZIA SCARPATE ORIENTABILI / PIVOTING DITCH CLEANING BUCKETS

| A mm. | B mm. | C mm. | D mm. | Peso vasca Bucket body kg. | Cap. Sae | Attacco Attachment | Fig. |
|----------|----------|----------|----------|----------------------------------|----------|-----------------------|------|
| 1200 | 505 | 588 | 669 | 196 | 250 | AF | 1 |
| 1200 | 505 | 588 | 669 | 196 | 250 | AR | 2 |
| 1200 | 505 | 588 | 669 | 196 | 250 | CR | 3 |
| 1200 | 505 | 588 | 669 | 196 | 250 | CS | 4 |
| 1200 | 505 | 588 | 669 | 196 | 250 | Janus | 5 |
| 1200 | 505 | 588 | 669 | 196 | 250 | CW | 6 |
| 1400 | 505 | 588 | 669 | 217 | 298 | AF | 1 |
| 1400 | 505 | 588 | 669 | 217 | 298 | AR | 2 |
| 1400 | 505 | 588 | 669 | 217 | 298 | CR | 3 |
| 1400 | 505 | 588 | 669 | 217 | 298 | CS | 4 |
| 1400 | 505 | 588 | 669 | 217 | 298 | Janus | 5 |
| 1400 | 505 | 588 | 669 | 217 | 298 | CW | 6 |
| 1600 | 505 | 588 | 669 | 239 | 345 | AF | 1 |
| 1600 | 505 | 588 | 669 | 239 | 345 | AR | 2 |
| 1600 | 505 | 588 | 669 | 239 | 345 | CR | 3 |
| 1600 | 505 | 588 | 669 | 239 | 345 | CS | 4 |
| 1600 | 505 | 588 | 669 | 239 | 345 | Janus | 5 |
| 1600 | 505 | 588 | 669 | 239 | 345 | CW | 6 |





SQ 50 - Fe 510 BENNE PULIZIA SCARPATE ORIENTABILI / PIVOTING DITCH CLEANING BUCKETS

| A mm. | B mm. | C mm. | D mm. | Peso vasca Bucket body kg. | Cap. Sae | Attacco Attachment | Fig. |
|----------|----------|----------|----------|----------------------------------|----------|-----------------------|------|
| 1800 | 505 | 588 | 669 | 260 | 392 | AF | 1 |
| 1800 | 505 | 588 | 669 | 260 | 392 | AR | 2 |
| 1800 | 505 | 588 | 669 | 260 | 392 | CR | 3 |
| 1800 | 505 | 588 | 669 | 260 | 392 | CS | 4 |
| 1800 | 505 | 588 | 669 | 260 | 392 | Janus | 5 |
| 1800 | 505 | 588 | 669 | 260 | 392 | CW | 6 |

