

AR



CR



CS



Janus

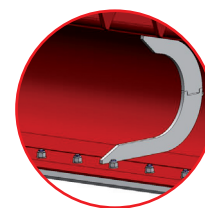


CW

SP 55 - Fe 510 BENNE PULIZIA SCARPATE / DITCH CLEANING BUCKETS

| A mm. | B mm. | C mm. | Peso vasca Bucket body kg. | Cap. Sae | Attacco Attachment | Fig. |
|----------|----------|----------|----------------------------------|----------|-----------------------|------|
| 1200 | 557 | 670 | 183 | 326 | AF | 1 |
| 1200 | 557 | 670 | 183 | 326 | AR | 2 |
| 1200 | 557 | 670 | 183 | 326 | CR | 3 |
| 1200 | 557 | 670 | 183 | 326 | CS | 4 |
| 1200 | 557 | 670 | 183 | 326 | Janus | 5 |
| 1200 | 557 | 670 | 183 | 326 | CW | 6 |
| 1400 | 557 | 670 | 212 | 387 | AF | 1 |
| 1400 | 557 | 670 | 212 | 387 | AR | 2 |
| 1400 | 557 | 670 | 212 | 387 | CR | 3 |
| 1400 | 557 | 670 | 212 | 387 | CS | 4 |
| 1400 | 557 | 670 | 212 | 387 | Janus | 5 |
| 1400 | 557 | 670 | 212 | 387 | CW | 6 |
| 1600 | 557 | 670 | 240 | 447 | AF | 1 |
| 1600 | 557 | 670 | 240 | 447 | AR | 2 |
| 1600 | 557 | 670 | 240 | 447 | CR | 3 |
| 1600 | 557 | 670 | 240 | 447 | CS | 4 |
| 1600 | 557 | 670 | 240 | 447 | Janus | 5 |
| 1600 | 557 | 670 | 240 | 447 | CW | 6 |

fig. 7

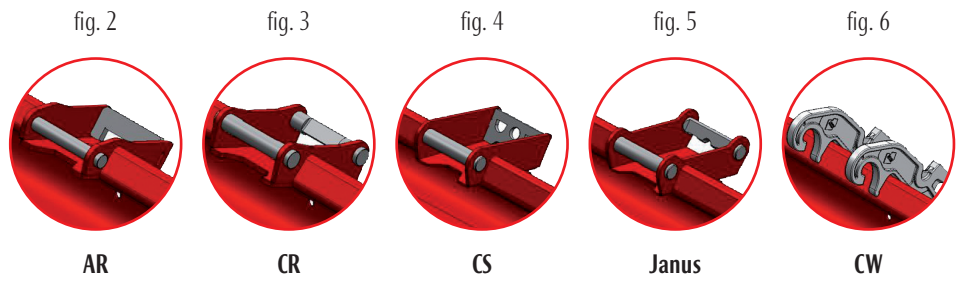
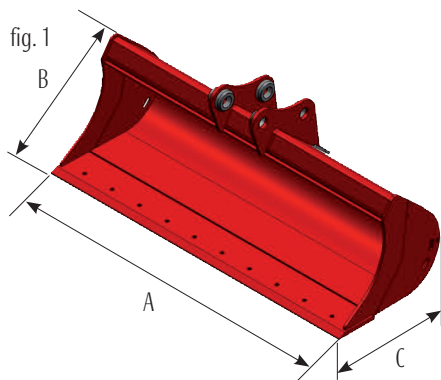


Lunetta

fig. 8



Lama
supplementare



SP 55 - Fe 510 BENNE PULIZIA SCARPATE / DITCH CLEANING BUCKETS

| A mm. | B mm. | C mm. | Peso vasca Bucket body kg. | Cap. Sae | Attacco Attachment | Fig. |
|----------|----------|----------|----------------------------------|----------|-----------------------|------|
| 1800 | 557 | 670 | 269 | 507 | AF | 1 |
| 1800 | 557 | 670 | 269 | 507 | AR | 2 |
| 1800 | 557 | 670 | 269 | 507 | CR | 3 |
| 1800 | 557 | 670 | 269 | 507 | CS | 4 |
| 1800 | 557 | 670 | 269 | 507 | Janus | 5 |
| 1800 | 557 | 670 | 269 | 507 | CW | 6 |

